

Druckarmaturen DKOS 45°

Anschluss

Dichtkopf 24° Außenkonus O-Ring-dichtend mit metrischer Mutter S-Reihe

Norm

ISO 8434-1

Anwendung

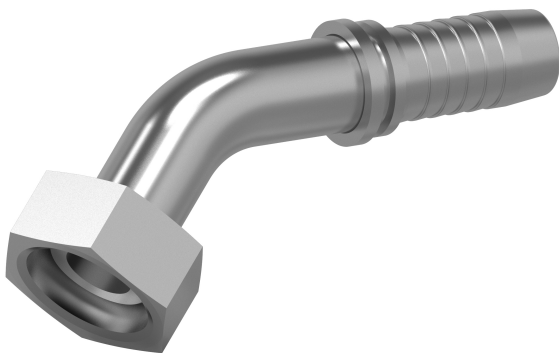
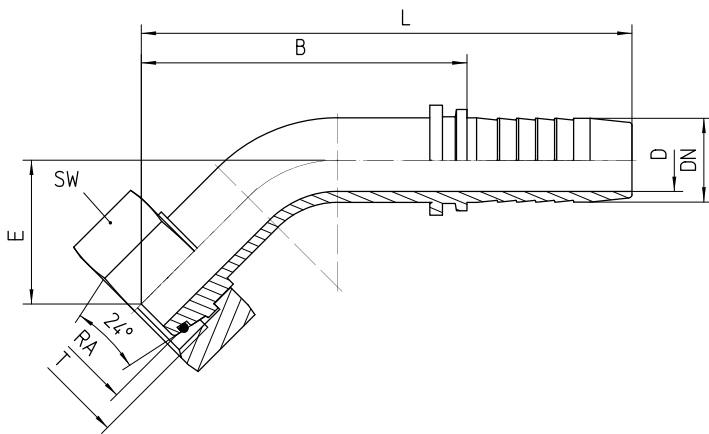
TE / SN / SC / SN-K / PTFE Schläuche

Werkstoff

Stahl

Oberfläche

galvanisch verzinkt



Bestell-Nr.	DN in	RA	T	SW in	min. D in	E±3 in	B±3 in	L±3 in	Hinweis
-------------	-------	----	---	-------	-----------	--------	--------	--------	---------

	mm			mm	mm	mm	mm	mm	
1.085-03-04	06	8S	M 16x1.5	19	4,0	18	38	65	
1.085-04-04	06	10S	M 18x1.5	22	4,0	18	39	66	
1.085-05-04	06	12S	M 20x1.5	24	4,0	19	39	66	
1.085-04-05	08	10S	M 18x1.5	22	5,5	19	42	69	
1.085-05-05	08	12S	M 20x1.5	24	5,5	19	42	69	
1.085-06-05	08	14S	M 22x1.5	27	5,5	20	43	70	
1.085-05-06	10	12S	M 20x1.5	24	7,0	18	41	71	
1.085-06-06	10	14S	M 22x1.5	27	7,0	20	41	71	
1.085-08-06	10	16S	M 24x1.5	30	7,0	20	41	71	
1.085-06-08	12	14S	M 22x1.5	27	7,0	24	54	85	
1.085-08-08	12	16S	M 24x1.5	30	10,0	24	54	85	
1.085-10-08	12	20S	M 30x2.0	36	10,0	29	68	99	
1.085-08-10	16	16S	M 24x1.5	30	10,0	29	65	99	
1.085-10-10	16	20S	M 30x2.0	36	12,6	30	66	100	
1.085-12-10/SW41	16	25S	M 36x2.0	41	12,6	31	67	101	a
1.085-12-10/SW46	16	25S	M 36x2.0	46	12,6	31	67	101	

1.085-10-12	19	20S	M 30x2.0	36	13,0	34	78	117	
1.085-12-12/SW41	19	25S	M 36x2.0	41	14,8	36	79	118	a
1.085-12-12/SW46	19	25S	M 36x2.0	46	14,8	36	79	118	
1.085-16-12	19	30S	M 42x2.0	50	14,8	34	74	113	
1.085-12-16/SW46	25	25S	M 36x2.0	46	14,8	40	89	135	
1.085-16-16	25	30S	M 42x2.0	50	21,0	40	88	134	
1.085-20-16	25	38S	M 52x2.0	60	21,1	41	83	129	
1.085-16-20	31	30S	M 42x2.0	50	21,0	42	112	166	
1.085-20-20	31	38S	M 52x2.0	60	26,5	40	109	163	
1.085-20-24	38	38S	M 52x2.0	60	27,0	54	118	175	
1.085-24-24	38	50S	M 68x2.0	80	32,8	49	117	174	

Hinweis

a) nicht nach ISO 8434-1