

# Saug- & Niederdruckarmaturen Anschweißnippel 45°

## Anschluss

Schlaunippel mit Rohr zum Anschweißen

## Anwendung

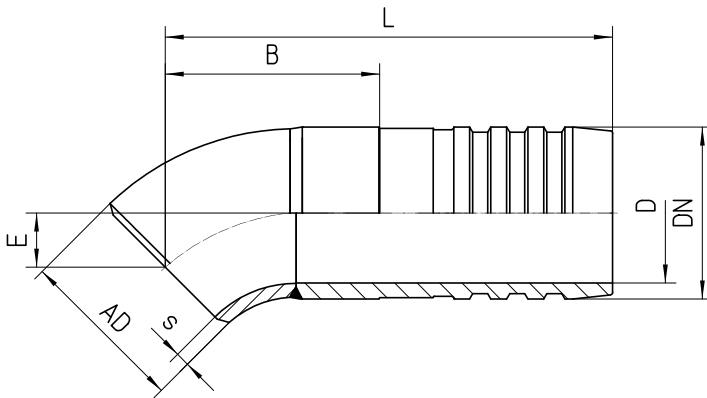
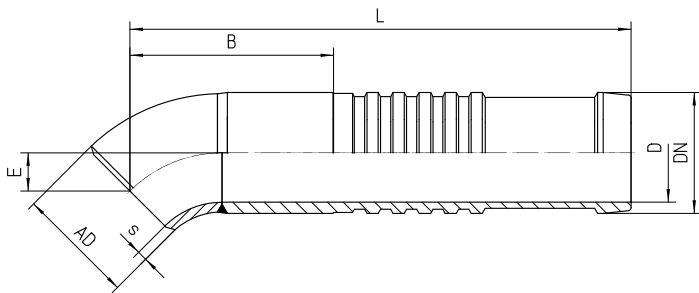
14A / 17A Schläuche

## Werkstoff

Stahl

## Oberfläche

blank



Bestell-Nr.	DN in mm	Rohrbogen DIN2605/3S AD x s	D in mm	E±3 in mm	B±3 in mm	L±3 in mm	Bestell-Nr.Kurz	B±3 in mm	L±3 in mm
17.005-12	19	21.3 x 2.0	14,0	7	26	120	17.005K-12	36	80

<b>17.005-16</b>	25	26.9 x 2.3	19,0	10	30	125	17.005K-16	41	85
<b>17.005-20</b>	31	31.8 x 2.6	26,0	14	34	135	17.005K-20	51	95
<b>17.005-24</b>	38	38.0 x 2.6	32,0	17	60	140	17.005K-24	56	100
<b>17.005-32</b>	51	51.0 x 3.2	44,5	20	78	170	17.005K-32	85	130
<b>17.005-36</b>	60	60.3 x 2.9	53,0	23	68	160	17.005K-36	75	120
<b>17.005-48</b>	76	76.1 x 2.9	69,0	29	59	190	17.005K-48	105	150
<b>17.005-56</b>	90	88.9 x 3.2	82,0	35	75	205	17.005K-56	120	165
<b>17.005-64</b>	102	101.6 x 3.6	94,0	45	75	215	17.005K-64	127	175
<b>17.005-96</b>	152	139 x 4.0	131,0	62	112	290	17.005K-96	170	250