

Saug- & Niederdruckarmaturen DIN-Flansch Fest Gerade

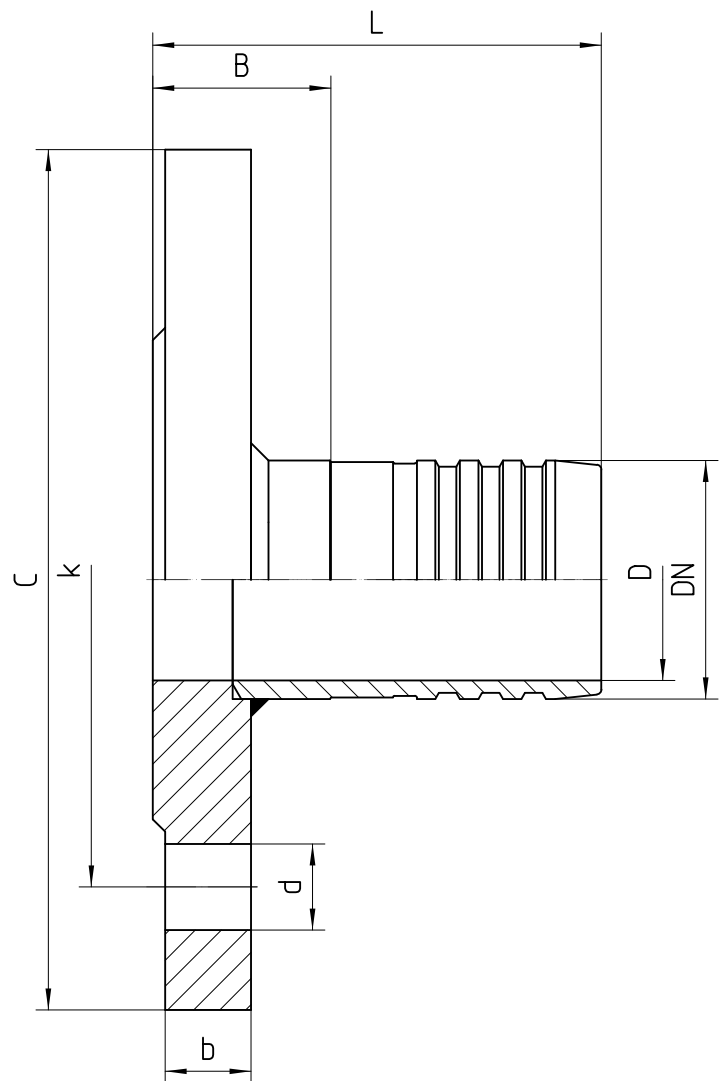
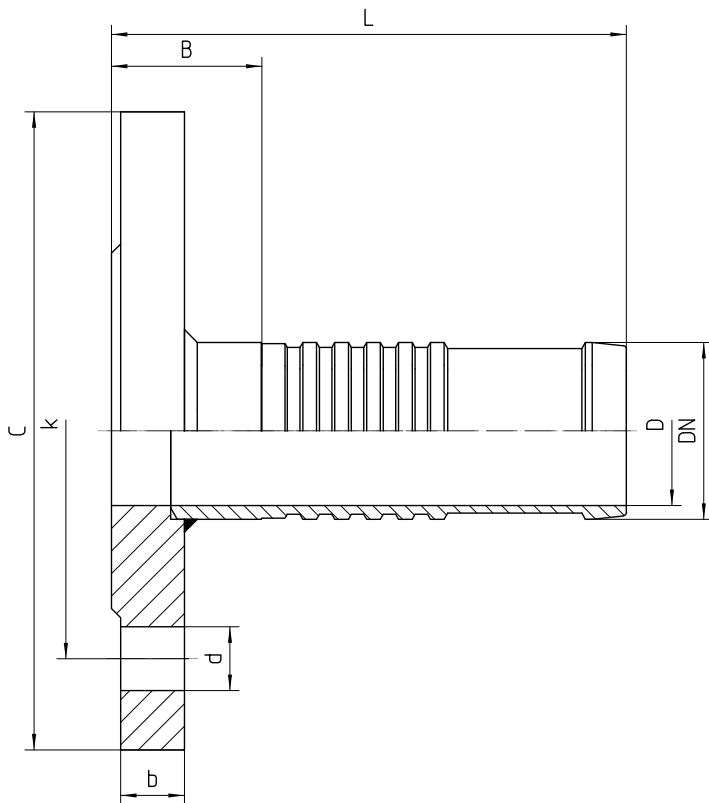
Anschluss
DIN-Flansch fest

Norm
DIN 2633/2527 (neu: EN1092-1, Typ 11 PN16 und Typ 05 PN16)

Anwendung
14A / 17A Schläuche

Werkstoff
Stahl

Oberfläche
galvanisch verzinkt



Bestell-Nr.	DN in mm	DN DIN Flansch	C in mm	b in mm	k in mm	Schrauben Gewinde (Anzahl)	d in mm	D in mm	B±3 in mm	L±3 in mm	Bestell-Nr.Kurz	B±3 in mm	L±3 in mm
17.424-12-12	19	20	105	16 (18)	75	M12 (4)	14	14	33 (35)	113 (115)	17.424K-12-12	29 (31)	73 (75)
17.424-16-12	19	25	115	16 (18)	85	M12 (4)	14	14	34 (36)	114 (116)	17.424K-16-12	30 (32)	74 (76)
17.424-12-16	25	20	105	16 (18)	75	M12 (4)	14	19	33 (35)	113 (115)	17.424K-12-16	29 (31)	73 (75)
17.424-16-16	25	25	115	16 (18)	85	M12 (4)	14	19	34 (36)	114 (116)	17.424K-16-16	30 (32)	74 (76)
17.424-20-16	25	32	140	16 (18)	100	M16 (4)	18	19	33 (35)	113 (115)	17.424K-20-16	29 (31)	73 (75)
17.424-12-20	31	20	105	16 (18)	75	M12 (4)	14	26	33 (35)	113 (115)	17.424K-12-20	29 (31)	73 (75)
17.424-16-20	31	25	115	16 (18)	85	M12 (4)	14	26	34 (36)	114 (116)	17.424K-16-20	30 (32)	74 (76)
17.424-20-20	31	32	140	16 (18)	100	M16 (4)	18	26	33 (35)	113 (115)	17.424K-20-20	29 (31)	73 (75)
17.424-24-20	31	40	150	16 (18)	110	M16 (4)	18	26	34 (36)	114 (116)	17.424K-24-20	30 (32)	74 (76)
17.424-12-24	38	20	105	16 (18)	75	M12 (4)	14	32	33 (35)	113 (115)	17.424K-12-24	29 (31)	73 (75)
17.424-16-24	38	25	115	16 (18)	85	M12 (4)	14	32	34 (36)	114 (116)	17.424K-16-24	30 (32)	74 (76)
17.424-20-24	38	32	140	16 (18)	100	M16 (4)	18	32	33 (35)	113 (115)	17.424K-20-24	34 (36)	73 (75)
17.424-24-24	38	40	150	16 (18)	110	M16 (4)	18	32	34 (36)	114 (116)	17.424K-24-24	30 (32)	74 (76)
17.424-32-24	38	50	165	18	125	M16 (4)	18	32	55	135	17.424K-32-24	31	75
17.424-16-32	51	25	115	16 (18)	85	M12 (4)	14	44	45 (47)	137 (139)	17.424K-16-32	52 (54)	97 (99)
17.424-20-32	51	32	140	16 (18)	100	M16 (4)	18	44	31 (33)	123 (125)	17.424K-20-32	38 (40)	83 (85)

17.424-24-32	51	40	150	16 (18)	110	M16 (4)	18	44	32 (34)	124 (126)	17.424K- 24-32	39 (41)	84 (86)
17.424-32-32	51	50	165	18	125	M16 (4)	18	44	33	125	17.424K- 32-32	35	80
17.424-40-32	51	65	185	18	145	M16 (4 (8))	18	44	34	126	17.424K- 40-32	41	86
17.424-16-36	60	25	115	16 (18)	85	M12 (4)	14	53	82 (84)	174 (176)	17.424K- 16-36	89 (91)	134 (136)
17.424-20-36	60	32	140	16 (18)	100	M16 (4)	18	53	44 (46)	136 (138)	17.424K- 20-36	51 (53)	96 (98)
17.424-24-36	60	40	150	16 (18)	110	M16 (4)	18	53	42 (44)	134 (136)	17.424K- 24-36	49 (51)	94 (96)
17.424-32-36	60	50	165	18	125	M16 (4)	18	53	43	135	17.424K- 32-36	50	95
17.424-40-36	60	65	185	18	145	M16 (4)	18	53	44	136	17.424K- 40-36	51	96
17.424-48-36	60	80	200	20	160	M16 (8)	18	53	45	137	17.424K- 48-36	52	97
17.424-20-48	76	32	140	16 (18)	100	M16 (4)	18	69	81 (83)	173 (175)	17.424K- 20-48	88 (90)	133 (135)
17.424-24-48	76	40	150	16 (18)	110	M16 (4)	18	69	70 (72)	162 (164)	17.424K- 24-48	77 (79)	122 (124)
17.424-32-48	76	50	165	18	125	M16 (4)	18	69	66	158	17.424K- 32-48	63	108
17.424-40-48	76	65	185	18	145	M16 (4 (8))	18	69	53	145	17.424K- 40-48	60	105
17.424-48-48	76	80	200	20	160	M16 (4)	18	69	55	147	17.424K- 48-48	62	107
17.424-64-48	76	100	220	20	180	M16 (8)	18	69	64	156	17.424K- 64-48	62	107
17.424-24-56	90	40	150	16 (18)	110	M16 (4)	18	82	77 (79)	169 (171)	17.424K- 24-56	84 (86)	129 (131)
17.424-32-56	90	50	165	18	125	M16 (4)	18	82	56	148	17.424K- 32-56	63	108
17.424-40-56	90	65	185	18	145	M16 (4 (8))	18	82	56	148	17.424K- 40-56	63	108

17.424-48-56	90	80	200	20	160	M16 (8)	18	82	55	147	17.424K-48-56	62	107
17.424-64-56	90	100	220	20	180	M16 (8)	18	82	57	149	17.424K-64-56	64	109
17.424-32-64	102	50	165	18	125	M16 (4)	18	94	134	226	17.424K-32-64	87	135
17.424-40-64	102	65	185	18	145	M16 (4 (8))	18	94	66	158	17.424K-40-64	70	118
17.424-48-64	102	80	200	20	160	M16 (4)	18	94	45	137	17.424K-48-64	49	97
17.424-64-64	102	100	220	20	180	M16 (8)	18	94	67	159	17.424K-64-64	71	119
17.424-80-64	102	125	250	22	210	M16 (8)	18	94	67	159	17.424K-80-64	71	119
17.424-64-96	152	100	220	20	180	M16 (8)	18	142	182	310	17.424K-64-96	109	189
17.424-80-96	152	125	250	22	210	M16 (8)	18	142	54	182	17.424K-80-96	62	142
17.424-96-96	152	150	285	22	240	M20 (8)	22	142	54	182	17.424K-96-96	62	142
17.424-128-96	152	200	340	24	295	M20 (12)	22	142	56	184	17.424K-128-96	64	144

Hinweis

() abweichende Maße bei Verwendung von EN-Flanschen