

Adapters 45 VO

connection

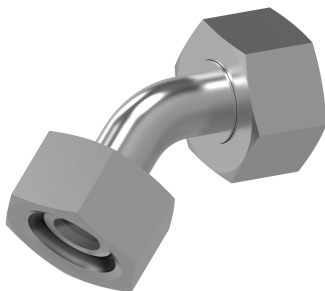
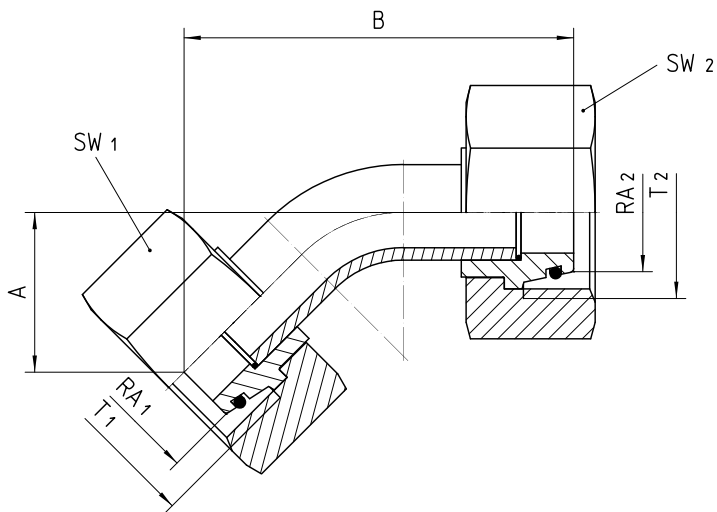
both sides: 24° external cone O-ring sealing with metric nut L/S series

Material

Steel

Surface protection

Zinc-electroplated



Bestell-Nr.	RA1	RA2	T1	T2	SW1 in mm	SW2 in mm	A±3 in mm	B±3 in mm
-------------	-----	-----	----	----	-----------	-----------	-----------	-----------

45VO 6-L/ 6-L	6-L	6-L	M 12x1.5	M 12x1.5	14	14	17	48
45VO 6-S/ 6-S	6-S	6-S	M 14x1.5	M 14x1.5	17	17	16	47
45VO 8-L/ 8-L	8-L	8-L	M 14x1.5	M 14x1.5	17	17	19	52
45VO 8-S/ 8-S	8-S	8-S	M 16x1.5	M 16x1.5	19	19	18	51
45VO 10-L/10-L	10-L	10-L	M 16x1.5	M 16x1.5	19	19	23	58
45VO 10-S/10-S	10-S	10-S	M 18x1.5	M 18x1.5	22	22	22	53
45VO 12-L/12-L	12-L	12-L	M 18x1.5	M 18x1.5	22	22	23	55
45VO 12-S/12-S	12-S	12-S	M 20x1.5	M 20x1.5	24	24	20	52
45VO 14-S/14-S	14-S	14-S	M 22x1.5	M 22x1.5	27	27	22	58
45VO 15-L/15-L	15-L	15-L	M 22x1.5	M 22x1.5	27	27	23	64
45VO 16-S/16-S	16-S	16-S	M 24x1.5	M 24x1.5	30	30	24	66
45VO 18-L/18-L	18-L	18-L	M 26x1.5	M 26x1.5	32	32	24	63
45VO 20-S/20-S	20-S	20-S	M 30x2,0	M 30x2,0	36	36	27	71
45VO 22-L/22-L	22-L	22-L	M 30x2,0	M 30x2,0	36	36	32	76
45VO 25-S/25-S	25-S	25-S	M 36x2,0	M 36x2,0	46	46	34	81
45VO 28-L/28-L	28-L	28-L	M 36x2,0	M 36x2,0	41	41	32	74
45VO 30-S/30-S	30-S	30-S	M 42x2,0	M 42x2,0	50	50	33	81
45VO 35-L/35-L	35-L	35-L	M 45x2,0	M 45x2,0	50	50	34	82
45VO 38-S/38-S	38-S	38-S	M 52x2,0	M 52x2,0	60	60	38	91
45VO 42-L/42-L	42-L	42-L	M 52x2,0	M 52x2,0	60	60	38	90

Accessories

3437309

Optionen

deviating angle and dimensions on request