

Adapters 90 VO

connection

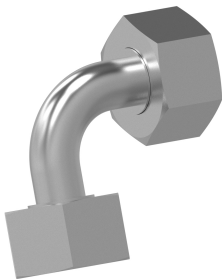
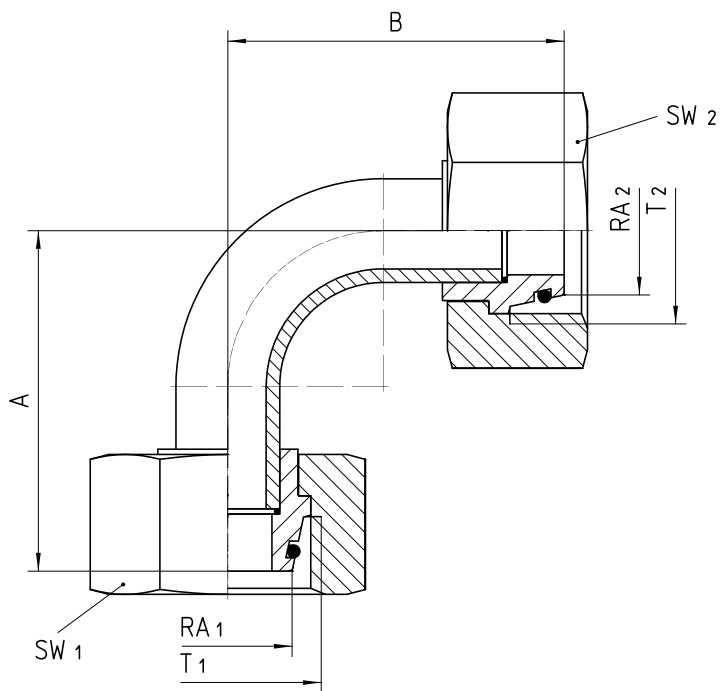
both sides: 24° external cone O-ring sealing with metric nut L/S series

Material

Steel

Surface protection

Zinc-electroplated



Bestell-Nr.	RA1	RA2	T1	T2	SW1 in mm	SW2 in mm	A±3 in mm	B±3 in mm
90VO 6-L/ 6-L	6-L	6-L	M 12x1.5	M 12x1.5	14	14	26	26
90VO 6-S/ 6-S	6-S	6-S	M 14x1.5	M 14x1.5	17	17	26	26
90VO 8-L/ 8-L	8-L	8-L	M 14x1.5	M 14x1.5	17	17	30	30
90VO 8-S/ 8-S	8-S	8-S	M 16x1.5	M 16x1.5	19	19	31	31
90VO 10-L/10-L	10-L	10-L	M 16x1.5	M 16x1.5	19	19	34	34
90VO 10-S/10-S	10-S	10-S	M 18x1.5	M 18x1.5	22	22	35	35
90VO 12-L/12-L	12-L	12-L	M 18x1.5	M 18x1.5	22	22	34	34
90VO 12-S/12-S	12-S	12-S	M 20x1.5	M 20x1.5	24	24	36	36
90VO 14-S/14-S	14-S	14-S	M 22x1.5	M 22x1.5	27	27	37	37
90VO 15-L/15-L	15-L	15-L	M 22x1.5	M 22x1.5	27	27	43	43
90VO 16-S/16-S	16-S	16-S	M 24x1.5	M 24x1.5	30	30	45	45
90VO 18-L/18-L	18-L	18-L	M 26x1.5	M 26x1.5	32	32	49	49
90VO 20-S/20-S	20-S	20-S	M 30x2,0	M 30x2,0	36	36	54	54
90VO 22-L/22-L	22-L	22-L	M 30x2,0	M 30x2,0	36	36	62	62
90VO 25-S/25-S	25-S	25-S	M 36x2,0	M 36x2,0	46	46	65	65
90VO 28-L/28-L	28-L	28-L	M 36x2,0	M 36x2,0	41	41	71	71
90VO 30-S/30-S	30-S	30-S	M 42x2,0	M 42x2,0	50	50	76	76
90VO 35-L/35-L	35-L	35-L	M 45x2,0	M 45x2,0	50	50	84	84
90VO 38-S/38-S	38-S	38-S	M 52x2,0	M 52x2,0	60	60	84	84
90VO 42-L/42-L	42-L	42-L	M 52x2,0	M 52x2,0	60	60	90	90

Accessories
3437309

Sie haben Fragen? **+49 (36602) 140-140**



Optionen

deviating angle and dimensions on request