

## Adapters Threaded branch

### Connection

metric external thread with 60° internal cone LL series

### Standard

DIN 7631 / DIN 3852

### Application

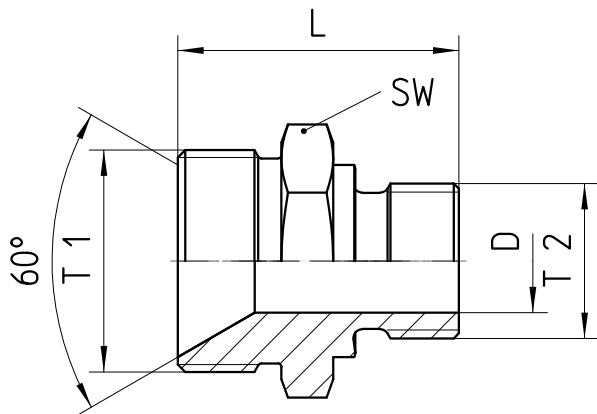
for suction and return lines

### Material

Steel

### Surface protection

Zinc-electroplated



Bestell-Nr.	DN in mm	T1	T2	SW in mm	D in mm	L ±3 in mm

<b>GE M 52x1.5 G 1 1/4</b>	38	M 52x1.5	G 1 1/4	55	30	54
<b>GE M 52x1.5 G 1 1/2</b>	38	M 52x1.5	G 1 1/2	55	39	56
<b>GE M 65x2 G 1 1/2</b>	51	M 65x2,0	G 1 1/2	75	39	57
<b>GE M 65x2 G 2</b>	51	M 65x2,0	G 2	75	50	57
<b>GE M 78x2 G 2</b>	60	M 78x2,0	G 2	90	50	57
<b>GE M 78x2 G 2 1/2</b>	60	M 78x2,0	G 2 1/2	90	56	59