

## Adapters Straight connector

### Connection

both sides: external thread with 60° internal cone LL series

### Standard

DIN 7631

### Application

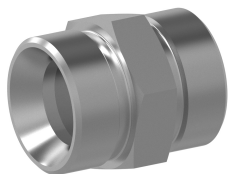
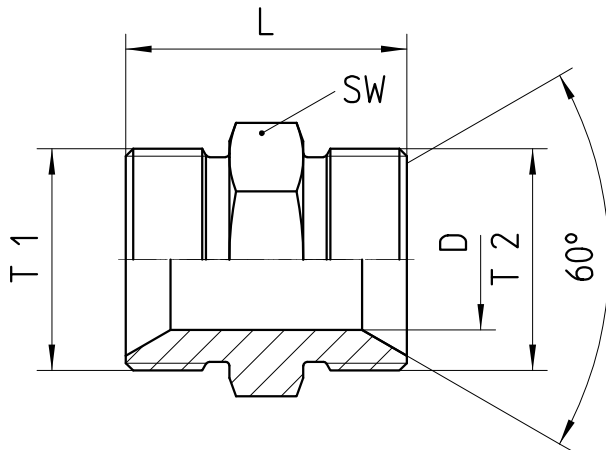
for suction and return lines

### Material

Steel

### Surface protection

Zinc-electroplated



Bestell-Nr.	DN in mm	T1	T2	SW in mm	D in mm	L ±3 in mm
-------------	----------	----	----	----------	---------	------------

<b>G M 30x1.5/M 30x1.5</b>	20	M 30x1.5	M 30x1.5	32	19	38
<b>G M 38x1.5/M 38x1.5</b>	25	M 38x1.5	M 38x1.5	41	25	45
<b>G M 45x1.5/M 45x1.5</b>	32	M 45x1.5	M 45x1.5	46	32	50
<b>G M 52x1.5/M 52x1.5</b>	38	M 52x1.5	M 52x1.5	55	39	50
<b>G M 65x2/M 65x2</b>	51	M 65x2.0	M 65x2.0	75	50	52
<b>G M 78x2/M 78x2</b>	60	M 78x2.0	M 78x2.0	90	56	52