

## Pressure fittings DKM 45°

### Connection

Sealing head 60° outside cone with nut LL series

### Standard

DIN 3863

### Application

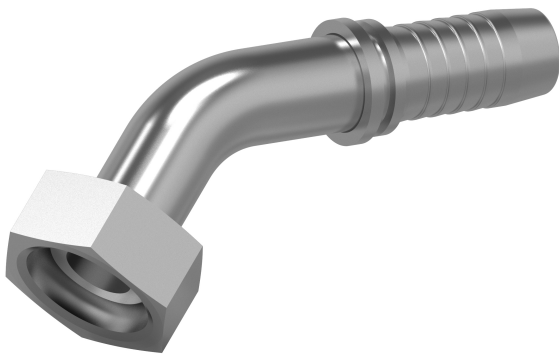
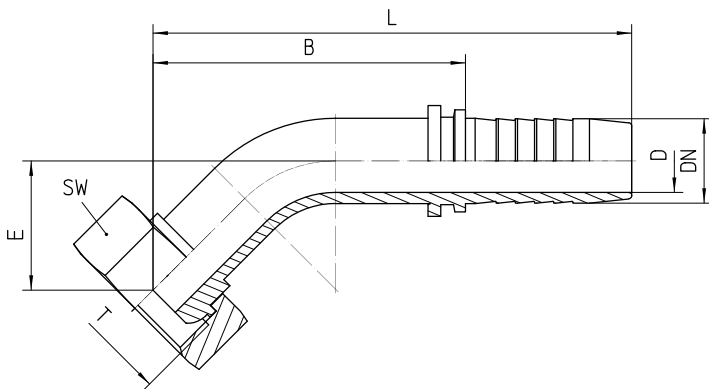
TE / SN / SC / SN-K / PTFE flexible tubes

### Material

Steel

### Surface protection

Zinc-electroplated



Bestell-Nr.	DN in mm	T	SW in mm	min. D in mm	E±3 in mm	B±3 in mm	L±3 in mm

<b>1.015-12-12</b>	19	M 30x1.5	36	14,8	32	73	112
<b>1.015-16-12</b>	19	M 38x1.5	46	14,8	33	70	109
<b>1.015-12-16</b>	25	M 30x1.5	36	15,0	35	80	126
<b>1.015-16-16</b>	25	M 38x1.5	46	21,0	32	82	128
<b>1.015-20-16</b>	25	M 45x1.5	55	21,0	35	79	125
<b>1.015-16-20</b>	31	M 38x1.5	46	20,0	40	115	169
<b>1.015-20-20</b>	31	M 45x1.5	55	26,5	40	109	163
<b>1.015-24-20</b>	31	M 52x1.5	60	26,5	40	110	164
<b>1.015-20-24</b>	38	M 45x1.5	55	27,0	47	114	171
<b>1.015-24-24</b>	38	M 52x1.5	60	32,8	49	115	172
<b>1.015-32-24</b>	38	M 65x2.0	75	32,8	50	117	174
<b>1.015-24-32</b>	51	M 52x1.5	60	30,0	54	131	206
<b>1.015-32-32</b>	51	M 65x2.0	75	44,5	54	131	206
<b>1.015-40-32</b>	51	M 78x2.0	90	44,5	51	129	204
<b>1.015-32-36</b>	60	M 65x2.0	75	44,5	56	158	238
<b>1.015-40-36</b>	60	M 78x2.0	90	52,0	54	158	238
<b>1.015-48-36</b>	60	M 90x2.0	100	52,0	54	159	239
<b>1.015-40-40</b>	63	M 78x2.0	90	52,0	53	148	228
<b>1.015-40-48</b>	76	M 78x2.0	90	53,0	61	158	233
<b>1.015-48-48</b>	76	M 90x2.0	100	68,0	53	147	222
<b>1.015-56-48</b>	76	M 100x2.0	110	68,0	53	147	222

#### Note

this version is also available for 4SP hoses

#### Ferrule

Sie haben Fragen? **+49 (36602) 140-140**



**Options**

O-ring version on request (DKOM)