

## Pressure fittings DKM 90°

### Connection

Sealing head 60° outside cone with nut LL series

### Standard

DIN 3863

### Application

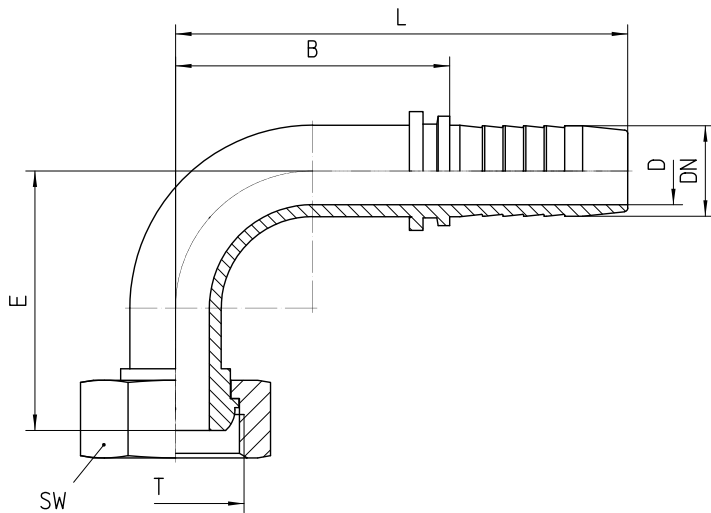
TE / SN / SC / SN-K / PTFE flexible tubes

### Material

Steel

### Surface protection

Zinc-electroplated



Bestell-Nr.	DN in mm	T	SW in mm	min. D in mm	E±3 in mm	B±3 in mm	L±3 in mm
<b>1.019-12-12</b>	19	M 30x1.5	36	14,8	61	60	99
<b>1.019-16-12</b>	19	M 38x1.5	46	14,8	61	60	99
<b>1.019-12-16</b>	25	M 30x1.5	36	15,0	60	68	114
<b>1.019-16-16</b>	25	M 38x1.5	46	21,0	69	68	114
<b>1.019-20-16</b>	25	M 45x1.5	55	21,0	70	68	114
<b>1.019-16-20</b>	31	M 38x1.5	46	20,0	84	94	148
<b>1.019-20-20</b>	31	M 45x1.5	55	26,5	82	94	148
<b>1.019-24-20</b>	31	M 52x1.5	60	26,5	83	94	148
<b>1.019-20-24</b>	38	M 45x1.5	55	27,0	104	105	162
<b>1.019-24-24</b>	38	M 52x1.5	60	32,8	101	105	162
<b>1.019-32-24</b>	38	M 65x2.0	75	32,8	103	105	162
<b>1.019-24-32</b>	51	M 52x1.5	60	33,0	114	130	205
<b>1.019-32-32</b>	51	M 65x2.0	75	44,5	112	130	205
<b>1.019-40-32</b>	51	M 78x2.0	90	44,5	117	130	205
<b>1.019-32-36</b>	60	M 65x2.0	75	44,5	129	173	253
<b>1.019-40-36</b>	60	M 78x2.0	90	52,0	129	173	253
<b>1.019-48-36</b>	60	M 90x2.0	100	52,0	129	173	253
<b>1.019-40-40</b>	63	M 78x2.0	90	52,0	128	157	237
<b>1.019-40-48</b>	76	M 78x2.0	90	53,0	142	150	225
<b>1.019-48-48</b>	76	M 90x2.0	100	68,0	131	150	225
<b>1.019-56-48</b>	76	M 100x2.0	100	68,0	131	150	225

Sie haben Fragen? **+49 (36602) 140-140**

**Note**

this version is also available for 4SP hoses

**Ferrule**

**Options**

O-ring version on request (DKOM)