

Pressure fittings CEL 45°

Connection

Metric male thread 24° with inner cone and pipe connection L series

Standard

ISO 8434-1

Application

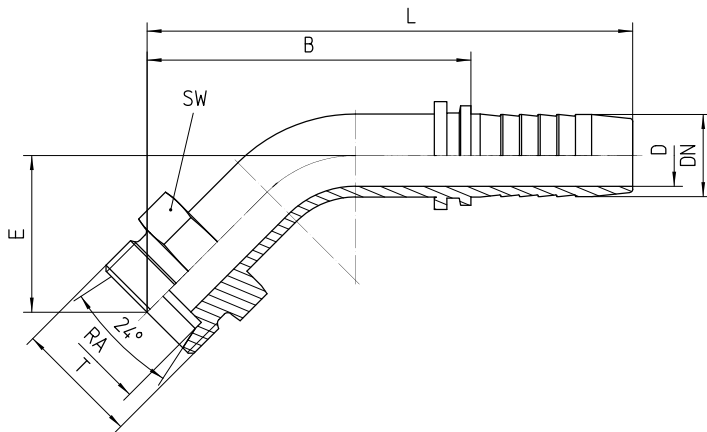
TE / SN / SC / SN-K / PTFE flexible tubes

Material

Steel

Surface protection

Zinc-electroplated



Bestell-Nr.	DN in mm	RA	T	SW in mm	min. D in mm	E±3 in mm	B±3 in mm	L±3 in mm
1.175-03-04	06	6L	M 12x1.5	14	4,0	17	41	68
1.175-04-04	06	8L	M 14x1.5	14	4,0	19	40	67
1.175-05-04	06	10L	M 16x1.5	17	4,0	17	40	67
1.175-04-05	08	8L	M 14x1.5	14	5,5	17	46	73
1.175-05-05	08	10L	M 16x1.5	17	5,5	20	44	71
1.175-06-05	08	12L	M 18x1.5	19	5,5	20	45	72
1.175-05-06	10	10L	M 16x1.5	17	7,0	20	43	73
1.175-06-06	10	12L	M 18x1.5	19	7,0	20	43	73
1.175-08-06	10	15L	M 22x1.5	22	7,0	21	42	72
1.175-06-08	12	12L	M 18x1.5	19	10,0	23	57	88
1.175-08-08	12	15L	M 22x1.5	22	10,0	26	53	84
1.175-10-08	12	18L	M 26x1.5	27	10,0	25	54	85
1.175-08-10	16	15L	M 22x1.5	22	12,6	32	68	102
1.175-10-10	16	18L	M 26x1.5	27	12,6	30	68	102
1.175-12-10	16	22L	M 30x2.0	30	12,6	32	69	103
1.175-10-12	19	18L	M 26x1.5	27	14,8	36	80	119
1.175-12-12	19	22L	M 30x2.0	32	14,8	39	80	119
1.175-16-12	19	28L	M 36x2.0	36	14,8	38	80	119
1.175-12-16	25	22L	M 30x2.0	30	16,6	38	86	132
1.175-16-16	25	28L	M 36x2.0	36	21,1	34	83	129
1.175-20-16	25	35L	M 45x2.0	46	21,1	38	86	132
1.175-16-20	31	28L	M 36x2.0	36	22,5	47	116	170

1.175-20-20	31	35L	M 45x2.0	46	26,5	47	116	170
1.175-20-24	38	35L	M 45x2.0	46	29,0	50	120	177
1.175-24-24	38	42L	M 52x2.0	55	32,8	52	121	178