

## Pressure fittings DKL 45°

### Connection

Universal sealing head 23° outside cone with metric nut L series

### Standard

ISO 8434-1

### Application

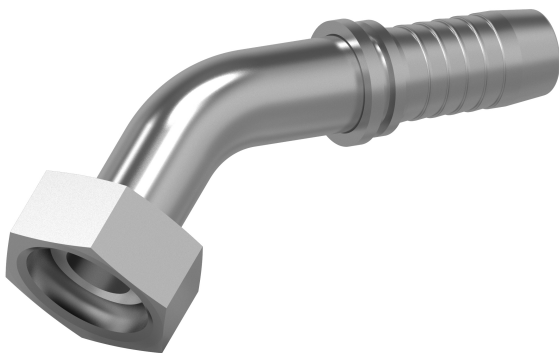
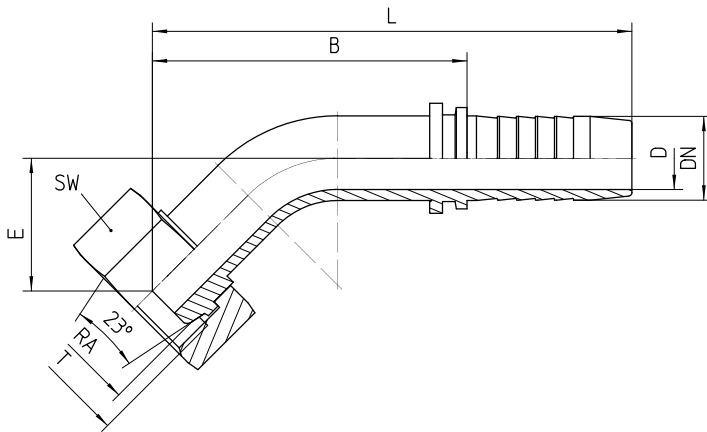
TE / SN / SC / SN-K / PTFE flexible tubes

### Material

Steel

### Surface protection

Zinc-electroplated



| Bestell-Nr. | DN in mm | RA | T | SW in mm | min. D in mm | E±3 in mm | B±3 in mm | L±3 in mm |
|-------------|----------|----|---|----------|--------------|-----------|-----------|-----------|
|-------------|----------|----|---|----------|--------------|-----------|-----------|-----------|

|                    |    |     |          |    |      |    |    |    |
|--------------------|----|-----|----------|----|------|----|----|----|
| <b>1.045-03-04</b> | 06 | 6L  | M 12x1.5 | 14 | 4,0  | 16 | 35 | 62 |
| <b>1.045-04-04</b> | 06 | 8L  | M 14x1.5 | 17 | 4,0  | 16 | 35 | 62 |
| <b>1.045-05-04</b> | 06 | 10L | M 16x1.5 | 19 | 4,0  | 17 | 36 | 63 |
| <b>1.045-04-05</b> | 08 | 8L  | M 14x1.5 | 17 | 4,0  | 18 | 38 | 65 |
| <b>1.045-05-05</b> | 08 | 10L | M 16x1.5 | 19 | 5,5  | 18 | 38 | 65 |
| <b>1.045-06-05</b> | 08 | 12L | M 18x1.5 | 22 | 5,5  | 18 | 39 | 66 |
| <b>1.045-05-06</b> | 10 | 10L | M 16x1.5 | 19 | 7,0  | 18 | 37 | 67 |
| <b>1.045-06-06</b> | 10 | 12L | M 18x1.5 | 22 | 7,0  | 18 | 37 | 67 |
| <b>1.045-08-06</b> | 10 | 15L | M 22x1.5 | 27 | 7,0  | 18 | 36 | 66 |
| <b>1.045-06-08</b> | 12 | 12L | M 18x1.5 | 22 | 9,0  | 21 | 52 | 83 |
| <b>1.045-08-08</b> | 12 | 15L | M 22x1.5 | 27 | 10,0 | 20 | 51 | 82 |
| <b>1.045-10-08</b> | 12 | 18L | M 26x1.5 | 32 | 10,0 | 22 | 50 | 81 |
| <b>1.045-08-10</b> | 16 | 15L | M 22x1.5 | 27 | 10,0 | 27 | 63 | 97 |
| <b>1.045-10-10</b> | 16 | 18L | M 26x1.5 | 32 | 12,6 | 26 | 62 | 96 |