

Pressure fittings DKL 90°

Connection

Universal sealing head 23° outside cone with metric nut L series

Standard

ISO 8434-1

Application

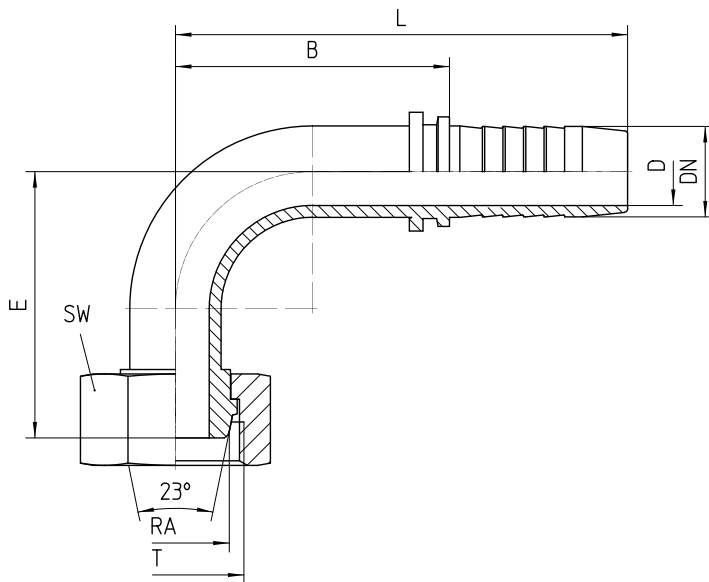
TE / SN / SC / SN-K / PTFE flexible tubes

Material

Steel

Surface protection

Zinc-electroplated





Bestell-Nr.	DN in mm	RA	T	SW in mm	min. D in mm	E±3 in mm	B±3 in mm	L±3 in mm
1.049-03-04	06	6L	M 12x1.5	14	4,0	28	26	53
1.049-04-04	06	8L	M 14x1.5	17	4,0	28	26	53
1.049-05-04	06	10L	M 16x1.5	19	4,0	29	26	53
1.049-04-05	08	8L	M 14x1.5	17	4,0	31	30	57
1.049-05-05	08	10L	M 16x1.5	19	5,5	32	30	57
1.049-06-05	08	12L	M 18x1.5	22	5,5	32	30	57
1.049-05-06	10	10L	M 16x1.5	19	7,0	32	30	60
1.049-06-06	10	12L	M 18x1.5	22	7,0	31	30	60
1.049-08-06	10	15L	M 22x1.5	27	7,0	30	30	60
1.049-06-08	12	12L	M 18x1.5	22	9,0	42	42	73
1.049-08-08	12	15L	M 22x1.5	27	10,0	40	42	73
1.049-10-08	12	18L	M 26x1.5	32	10,0	43	42	73
1.049-08-10	16	15L	M 22x1.5	27	10,0	53	52	86
1.049-10-10	16	18L	M 26x1.5	32	12,6	49	52	86