

Pressure fittings DKOL straight

Connection

Sealing head 24° outside cone O-ring sealing with metric nut L series

Standard

ISO 8434-1

Application

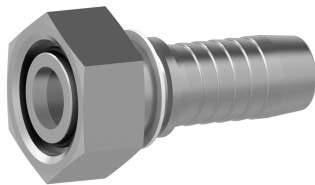
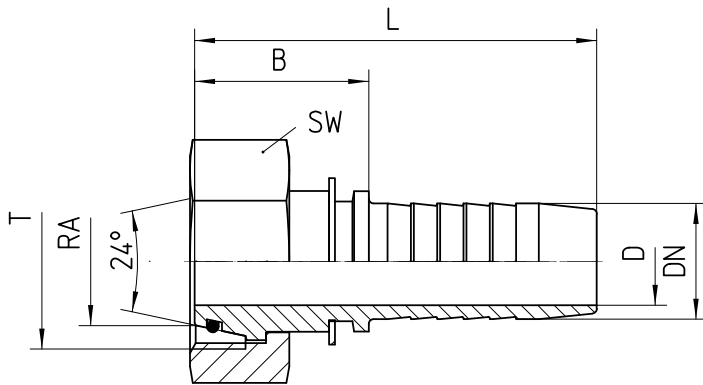
TE / SN / SC / SN-K / PTFE flexible tubes

Material

Steel

Surface protection

Zinc-electroplated



Bestell-Nr.	DN in mm	RA	T	SW in mm	min. D in mm	B±3 in mm	L±3 in mm
1.051-03-04	06	6L	M 12x1.5	14	2,8	25	52
1.051-04-04	06	8L	M 14x1.5	17	4,0	22	50
1.051-05-04	06	10L	M 16x1.5	19	4,0	23	51
1.051-06-04	06	12L	M 18x1.5	22	4,0	23	51
1.051-03-05	08	6L	M 12x1.5	14	2,8	25	52
1.051-04-05	08	8L	M 14x1.5	17	4,0	26	53
1.051-05-05	08	10L	M 16x1.5	19	5,5	23	50
1.051-06-05	08	12L	M 18x1.5	22	5,5	23	50
1.051-04-06	10	8L	M 14x1.5	17	4,0	26	56
1.051-05-06	10	10L	M 16x1.5	19	5,5	27	57
1.051-06-06	10	12L	M 18x1.5	22	7,0	24	54
1.051-08-06	10	15L	M 22x1.5	27	7,0	25	55
1.051-06-08	12	12L	M 18x1.5	22	7,0	30	61
1.051-08-08	12	15L	M 22x1.5	27	10,0	26	57
1.051-10-08	12	18L	M 26x1.5	32	10,0	28	59
1.051-08-10	16	15L	M 22x1.5	27	10,0	29	63
1.051-10-10	16	18L	M 26x1.5	32	13,0	28	62
1.051-12-10	16	22L	M 30x2.0	36	13,0	31	65
1.051-10-12	19	18L	M 26x1.5	32	13,0	32	71
1.051-12-12	19	22L	M 30x2.0	36	15,0	30	69
1.051-16-12	19	28L	M 36x2.0	41	15,0	33	72
1.051-12-16	25	22L	M 30x2.0	36	15,0	37	84

1.051-16-16	25	28L	M 36x2.0	41	21,0	32	79
1.051-20-16	25	35L	M 45x2.0	50	21,0	37	83
1.051-16-20	31	28L	M 36x2.0	41	21,0	39	94
1.051-20-20	31	35L	M 45x2.0	50	27,0	35	90
1.051-24-20	31	42L	M 52x2.0	60	27,0	40	94
1.051-20-24	38	35L	M 45x2.0	50	27,0	41	98
1.051-24-24	38	42L	M 52x2.0	60	32,0	38	95
1.051-24-32	51	42L	M 52x2.0	60	36,0	36	111