

## Pressure fittings DKOL 45°

### Connection

Sealing head 24° outside cone O-ring sealing with metric nut L series

### Standard

ISO 8434-1

### Application

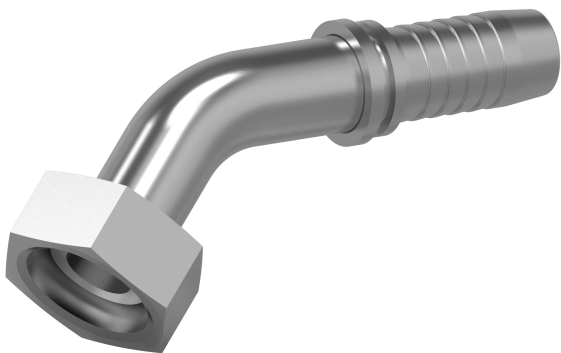
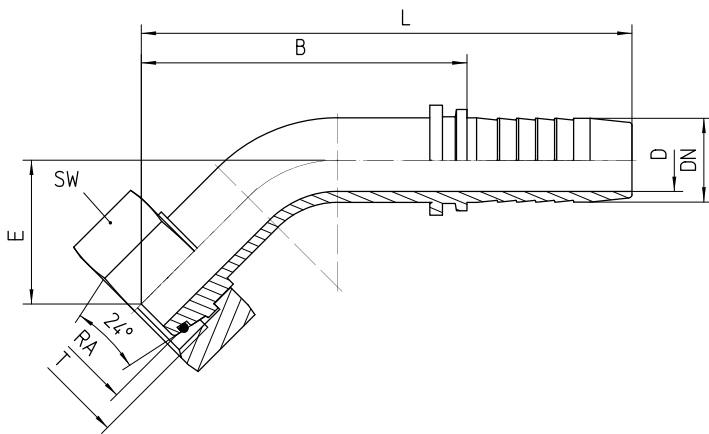
TE / SN / SC / SN-K / PTFE flexible tubes

### Material

Steel

### Surface protection

Zinc-electroplated



Bestell-Nr.	DN in	RA	T	SW in	min. D in	E±3 in	B±3 in	L±3 in	Note
-------------	-------	----	---	-------	-----------	--------	--------	--------	------

	mm			mm	mm	mm	mm	mm	
<b>1.055-03-04</b>	06	6L	M 12x1.5	14	2,8	15	40	63	
<b>1.055-04-04M</b>	06	8L	M 14x1.5	17	4,0	18	37	64	
<b>1.055-05-04</b>	06	10L	M 16x1.5	19	4,0	19	38	65	
<b>1.055-04-05</b>	08	8L	M 14x1.5	17	4,0	18	44	68	
<b>1.055-05-05M</b>	08	10L	M 16x1.5	19	5,5	18	41	68	
<b>1.055-06-05</b>	08	12L	M 18x1.5	22	5,5	20	45	69	
<b>1.055-05-06</b>	10	10L	M 16x1.5	19	5,5	19	40	70	
<b>1.055-06-06M</b>	10	12L	M 18x1.5	22	7,0	18	40	70	
<b>1.055-08-06</b>	10	15L	M 22x1.5	27	7,0	19	36	66	
<b>1.055-06-08</b>	12	12L	M 18x1.5	22	8,0	23	52	83	
<b>1.055-08-08M</b>	12	15L	M 22x1.5	27	10,0	23	52	83	
<b>1.055-10-08</b>	12	18L	M 26x1.5	32	10,0	23	50	81	
<b>1.055-08-10</b>	16	15L	M 22x1.5	27	10,0	28	65	99	
<b>1.055-10-10M</b>	16	18L	M 26x1.5	32	13,0	25	64	98	
<b>1.055-12-10</b>	16	22L	M 30x2.0	36	12,6	28	64	98	
<b>1.055-10-12</b>	19	18L	M 26x1.5	32	11,0	34	77	116	

<b>1.055-12-12</b>	19	22L	M 30x2.0	36	14,8	34	77	116	
<b>1.055-16-12</b>	19	28L	M 36x2.0	41	14,8	32	75	114	
<b>1.055-12-16</b>	25	22L	M 30x2.0	36	14,0	38	83	129	
<b>1.055-16-16</b>	25	28L	M 36x2.0	41	21,0	37	82	128	
<b>1.055-20-16</b>	25	35L	M 45x2.0	50	21,0	39	83	129	
<b>1.055-16-20</b>	31	28L	M 36x2.0	41	21,1	40	115	169	
<b>1.055-20-20</b>	31	35L	M 45x2.0	50	26,5	45	107	162	
<b>1.055-24-20</b>	31	42L	M 52x2.0	60	26,5	39	115	163	
<b>1.055-20-24</b>	38	35L	M 45x2.0	50	27,0	51	112	170	
<b>1.055-24-24</b>	38	42L	M 52x2.0	60	32,8	58	120	181	
<b>1.055-24-32</b>	50	42L	M 52x2.0	60	33,0	55	135,3	210	*

**Note**

\* wire nut