

Pressure fittings DKOL 90°

Connection

Sealing head 24° outside cone O-ring sealing with metric nut L series

Standard

ISO 8434-1

Application

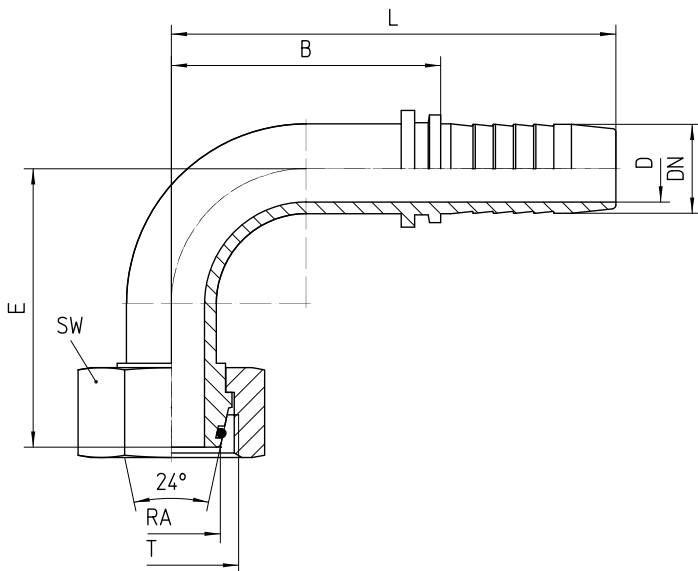
TE / SN / SC / SN-K / PTFE flexible tubes

Material

Steel

Surface protection

Zinc-electroplated





Bestell-Nr.	DN in mm	RA	T	SW in mm	min. D in mm	E±3 in mm	B±3 in mm	L±3 in mm	Note
1.059-03-04	6	6L	M 12x1.5	14	2,8	28	26	53	
1.059-04-04M	6	8L	M 14x1.5	17	4,0	31	23	50	
1.059-05-04	6	10L	M 16x1.5	19	4,0	33	26	53	
1.059-04-05	8	8L	M 14x1.5	17	4,0	33	30	57	
1.059-05-05M	8	10L	M 16x1.5	19	5,5	36	30	57	
1.059-06-05	8	12L	M 18x1.5	22	5,5	35	30	57	
1.059-05-06	10	10L	M 16x1.5	19	5,5	35	30	60	
1.059-06-06M	10	12L	M 18x1.5	22	7,0	34	30	60	
1.059-08-06	10	15L	M 22x1.5	27	7,0	35	32	62	
1.059-06-08	12	12L	M 18x1.5	22	8,0	44	42	73	

1.059-08-08M	12	15L	M 22x1.5	27	10,0	43	42	73	
1.059-10-08	12	18L	M 26x1.5	32	10,0	42	42	73	
1.059-08-10	16	15L	M 22x1.5	27	10,0	55	50	84	
1.059-10-10M	16	18L	M 26x1.5	32	13,0	48	47	81	
1.059-12-10	16	22L	M 30x2.0	36	12,6	54	52	86	
1.059-10-12	19	18L	M 26x1.5	32	11,0	64	60	99	
1.059-12-12	19	22L	M 30x2.0	36	14,8	62	61	100	
1.059-16-12	19	28L	M 36x2.0	41	14,8	63	60	99	
1.059-12-16	25	22L	M 30x2.0	36	14,0	72	68	114	
1.059-16-16	25	28L	M 36x2.0	41	21,0	74	66	112	
1.059-20-16	25	35L	M 45x2.0	50	21,0	74	68	114	
1.059-16-20	31	28L	M 36x2.0	41	21,1	87	94	148	
1.059-20-20	31	35L	M 45x2.0	50	26,5	90	87	141	
1.059-24-20	31	42L	M 52x2.0	60	26,5	89	87	141	
1.059-20-24	38	35L	M 45x2.0	50	27,0	106	105	162	
1.059-24-24	38	42L	M 52x2.0	60	32,8	103	105	162	
1.059-24-32	51	42L	M52x2.0	60	32,0	130	130	205	*

Note

* wire nut