

## Pressure fittings CES 45°

### Connection

Metric male thread 24° with inner cone, dan pipe connection S series

### Standard

ISO 8434-1

### Application

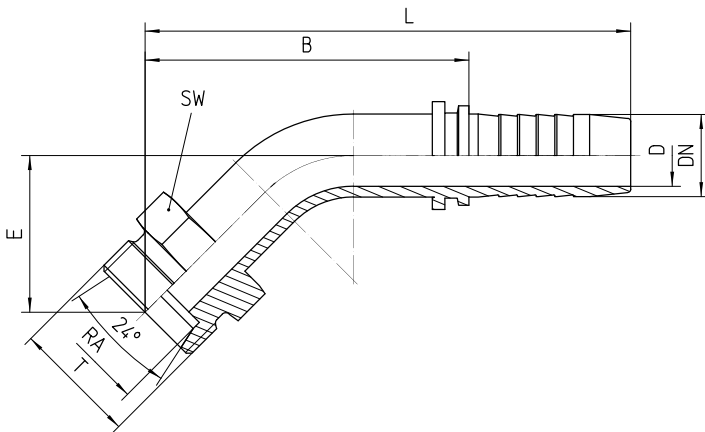
TE / SN / SC / SN-K / PTFE flexible tubes

### Material

Steel

### Surface protection

Zinc-electroplated



Bestell-Nr.	DN in mm	RA	T	SW in mm	min. D in mm	E±3 in mm	B±3 in mm	L±3 in mm
1.185-03-04	06	8S	M 16x1.5	17	4,0	21	42	69
1.185-04-04	06	10S	M 18x1.5	19	4,0	20	41	68
1.185-05-04	06	12S	M 20x1.5	22	4,0	21	42	69
1.185-04-05	08	10S	M 18x1.5	19	5,5	20	45	72
1.185-05-05	08	12S	M 20x1.5	22	5,5	22	44	71
1.185-06-05	08	14S	M 22x1.5	22	5,5	23	46	73
1.185-05-06	10	12S	M 20x1.5	22	7,0	21	43	73
1.185-06-06	10	14S	M 22x1.5	22	7,0	22	44	74
1.185-08-06	10	16S	M 24x1.5	24	7,0	24	48	78
1.185-06-08	12	14S	M 22x1.5	22	10,0	28	56	87
1.185-08-08	12	16S	M 24x1.5	24	10,0	27	55	86
1.185-10-08	12	20S	M 30x2.0	30	10,0	29	55	86
1.185-08-10	16	16S	M 24x1.5	24	12,6	32	68	102
1.185-10-10	16	20S	M 30x2.0	30	12,6	33	70	104
1.185-12-10	16	25S	M 36x2.0	36	12,6	35	71	105
1.185-10-12	19	20S	M 30x2.0	30	14,8	41	82	121
1.185-12-12	19	25S	M 36x2.0	41	14,8	41	82	121
1.185-16-12	19	30S	M 42x2.0	46	14,8	40	82	121
1.185-12-16	25	25S	M 36x2.0	36	16,6	42	90	136
1.185-16-16	25	30S	M 42x2.0	46	21,1	45	92	138
1.185-20-16	25	38S	M 52x2.0	55	21,1	47	93	139
1.185-16-20	31	30S	M 42x2.0	46	20,0	52	120	174

<b>1.185-20-20</b>	31	38S	M 52x2.0	55	26,5	59	126	180
<b>1.185-20-24</b>	38	38S	M 52x2.0	55	26,1	56	126	183