

Pressure fittings DKOS 90°

Connection

Sealing head 24° outside cone O-ring sealing with metric nut S series

Standard

ISO 8434-1

Application

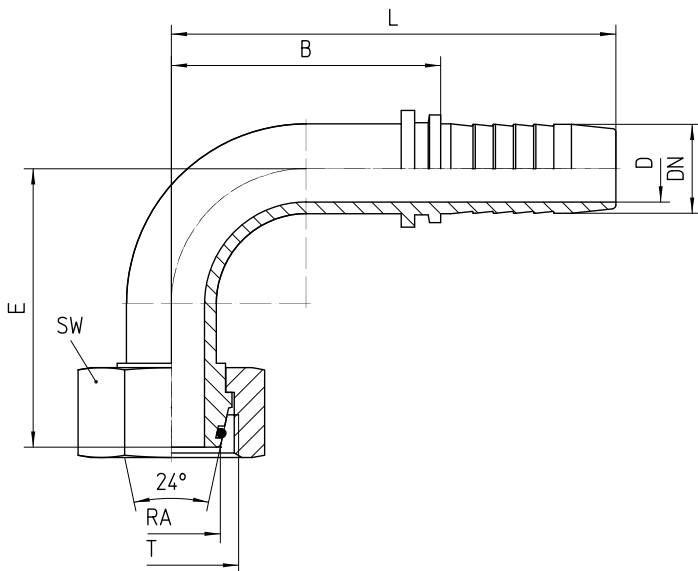
TE / SN / SC / SN-K / PTFE flexible tubes

Material

Steel

Surface protection

Zinc-electroplated





Bestell-Nr.	DN in mm	RA	T	SW in mm	min. D in mm	E±3 in mm	B±3 in mm	L±3 in mm	Note
1.089-03-04	06	8S	M 16x1.5	19	4,0	32	26	53	
1.089-04-04	06	10S	M 18x1.5	22	4,0	33	25	52	
1.089-05-04	06	12S	M 20x1.5	24	4,0	33	26	53	
1.089-04-05	08	10S	M 18x1.5	22	5,5	35	30	57	
1.089-05-05	08	12S	M 20x1.5	24	5,5	35	30	57	
1.089-06-05	08	14S	M 22x1.5	27	5,5	36	31	58	
1.089-05-06	10	12S	M 20x1.5	24	7,0	34	30	60	
1.089-06-06	10	14S	M 22x1.5	27	7,0	35	30	60	
1.089-08-06	10	16S	M 24x1.5	30	7,0	36	30	60	
1.089-06-08	12	14S	M 22x1.5	27	7,0	45	42	73	

1.089-08-08	12	16S	M 24x1.5	30	10,0	46	43	74	
1.089-10-08	12	20S	M 30x2.0	36	10,0	48	42	73	
1.089-08-10	16	16S	M 24x1.5	30	10,0	56	52	86	
1.089-10-10	16	20S	M 30x2.0	36	12,6	56	52	86	
1.089-12-10/SW41	16	25S	M 36x2.0	41	12,6	55	53	87	a
1.089-12-10/SW46	16	25S	M 36x2.0	46	12,6	55	53	87	
1.089-10-12	19	20S	M 30x2.0	36	13,0	68	60	99	
1.089-12-12/SW41	19	25S	M 36x2.0	41	14,8	68	61	100	a
1.089-12-12/SW46	19	25S	M 36x2.0	46	14,8	68	61	100	
1.089-16-12	19	30S	M 42x2.0	50	14,8	65	59	98	
1.089-12-16/SW46	25	25S	M 36x2.0	46	14,8	64	68	114	
1.089-16-16	25	30S	M 42x2.0	50	21,0	79	68	114	
1.089-20-16	25	38S	M 52x2.0	60	21,1	74	68	114	
1.089-16-20	31	30S	M 42x2.0	50	21,0	87	94	148	
1.089-20-20	31	38S	M 52x2.0	60	26,5	87	81	145	
1.089-20-24	38	38S	M 52x2.0	60	27,0	106	105	162	
1.089-24-24	38	50S	M	80	32,8	115	105	162	

		68x2.0							
--	--	--------	--	--	--	--	--	--	--

Note

a) not according to ISO 8434-1