

Pressure fittings DKR 45°

Connection

Sealing head 60° outside cone with BSPP nut (G)

Standard

ISO 8434-6

Application

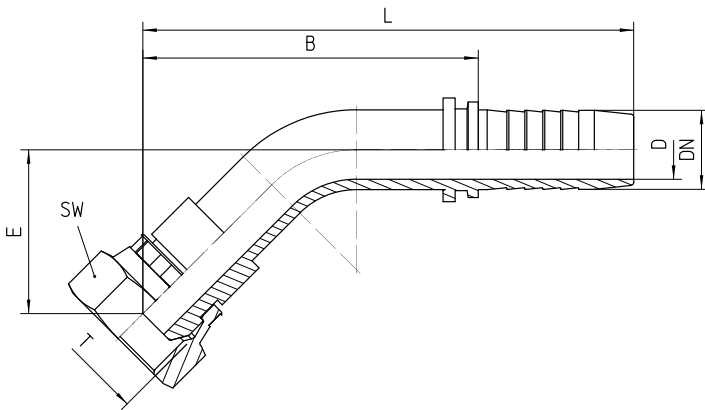
TE / SN / SC / SN-K / PTFE flexible tubes

Material

Steel

Surface protection

Zinc-electroplated



| Bestell-Nr. | DN in mm | T in inch | SW in mm | min. D in mm | E±3 in mm | B±3 in mm | L±3 in mm |
|-------------|----------|-----------|----------|--------------|-----------|-----------|-----------|
| 1.233-04-04 | 06 | 1/4 | 19 | 4,0 | 15 | 41 | 69 |
| 1.233-06-04 | 06 | 3/8 | 22 | 4,0 | 18 | 44 | 72 |
| 1.233-04-05 | 08 | 1/4 | 17 | 5,5 | 15 | 38 | 65 |
| 1.233-06-05 | 08 | 3/8 | 22 | 5,5 | 19 | 51 | 79 |
| 1.233-06-06 | 10 | 3/8 | 22 | 7,0 | 15 | 38 | 68 |
| 1.233-08-06 | 10 | 1/2 | 27 | 7,0 | 16 | 39 | 69 |
| 1.233-06-08 | 12 | 3/8 | 22 | 7,0 | 26 | 56 | 87 |
| 1.233-08-08 | 12 | 1/2 | 27 | 10,0 | 29 | 59 | 90 |
| 1.233-10-08 | 12 | 5/8 | 30 | 10,0 | 30 | 57 | 88 |
| 1.233-08-10 | 16 | 1/2 | 27 | 10,0 | 33 | 71 | 105 |
| 1.233-10-10 | 16 | 5/8 | 30 | 12,0 | 36 | 68 | 102 |
| 1.233-12-10 | 16 | 3/4 | 32 | 12,6 | 30 | 73 | 107 |
| 1.233-10-12 | 19 | 5/8 | 30 | 12,0 | 38 | 81 | 120 |
| 1.233-12-12 | 19 | 3/4 | 32 | 14,8 | 40 | 84 | 123 |
| 1.233-16-12 | 19 | 1 | 41 | 14,8 | 42 | 85 | 124 |
| 1.233-12-16 | 25 | 3/4 | 32 | 14,8 | 42 | 91 | 137 |
| 1.233-16-16 | 25 | 1 | 41 | 21,0 | 45 | 94 | 140 |
| 1.233-20-16 | 25 | 1 1/4 | 50 | 20,0 | 43 | 93 | 139 |
| 1.233-16-20 | 31 | 1 | 41 | 21,0 | 40 | 113 | 167 |
| 1.233-20-20 | 31 | 1 1/4 | 50 | 26,5 | 48 | 123 | 177 |
| 1.233-24-20 | 31 | 1 1/2 | 55 | 26,5 | 50 | 114 | 168 |
| 1.233-20-24 | 38 | 1 1/4 | 50 | 26,5 | 62 | 128 | 185 |
| | | | | | | | |

| | | | | | | | |
|--------------------|----|-------|----|------|----|-----|-----|
| 1.233-24-24 | 38 | 1 1/2 | 55 | 32,5 | 64 | 133 | 191 |
| 1.233-32-24 | 38 | 2 | 70 | 32,5 | 65 | 131 | 188 |
| 1.233-24-32 | 51 | 1 1/2 | 55 | 32,5 | 57 | 127 | 202 |
| 1.233-32-32 | 51 | 2 | 70 | 44,5 | 65 | 140 | 215 |
| 1.233-40-36 | 60 | 2 1/2 | 85 | 52,0 | 53 | 148 | 228 |