

## Pressure fittings DKJ 45°

### Connection

Sealing head 74° inner cone with UN nut

### Standard

ISO 8434-2

### Application

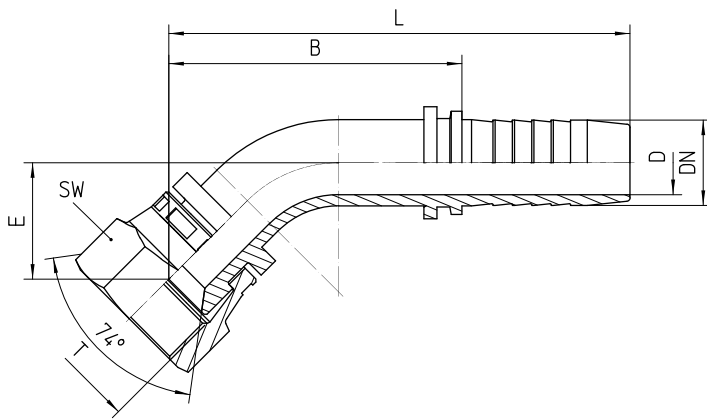
TE / SN / SC / SN-K / PTFE flexible tubes

### Material

Steel

### Surface protection

Zinc-electroplated



Bestell-Nr.	DN in mm	T in UNF/UN	SW in mm	min. D in mm	E±3 in mm	B±3 in mm	L±3 in mm
-------------	----------	-------------	----------	--------------	-----------	-----------	-----------

<b>1.343-04-04</b>	06	7/16-20 UNF	15	4,0	13	38	66
<b>1.343-05-04</b>	06	1/2-20 UNF	17	4,0	14	40	68
<b>1.343-04-05</b>	08	7/16-20 UNF	17	4,0	20	44	71
<b>1.343-05-05</b>	08	1/2-20 UNF	17	5,5	17	46	74
<b>1.343-06-05</b>	08	9/16-18 UNF	19	5,5	18	47	75
<b>1.343-05-06</b>	10	1/2-20 UNF	17	4,0	21	42	72
<b>1.343-06-06</b>	10	9/16-18 UNF	19	7,0	19	51	81
<b>1.343-08-06</b>	10	3/4-16 UNF	22	7,0	15	51	81
<b>1.343-06-08</b>	12	9/16-18 UNF	19	6,0	25	55	86
<b>1.343-08-08</b>	12	3/4-16 UNF	24	9,0	27	57	88
<b>1.343-10-08</b>	12	7/8-14 UNF	27	10,0	21	51	82
<b>1.343-08-10</b>	16	3/4-16 UNF	24	9,0	30	71	105
<b>1.343-10-10</b>	16	7/8-14 UNF	27	12,0	35	68	102
<b>1.343-12-10</b>	16	1 1/16-12 UN	32	12,0	40	73	107
<b>1.343-10-12</b>	19	7/8-14 UNF	27	12,0	34	81	120
<b>1.343-12-12</b>	19	1 1/16-12 UN	32	15,0	27	67	107
<b>1.343-16-12</b>	19	1 5/16-12 UN	38	15,0	30	72	112
<b>1.343-12-16</b>	25	1 1/16-16 UN	32	15,0	45	96	142
<b>1.343-16-16</b>	25	1 5/16-12 UN	41	21,0	41	82	128
<b>1.343-20-16</b>	25	1 5/8-12 UNF	55	21,0	50	100	147
<b>1.343-16-20</b>	31	1 5/16-20 UN	41	21,0	37	114	168
<b>1.343-20-20</b>	31	1 5/8-12 UN	55	26,5	44	114	168
<b>1.343-24-20</b>	31	1 7/8-12 UN	60	27,0	51	133	187

<b>1.343-24-24</b>	38	1 7/8-12 UN	60	32,8	47	116	173
<b>1.343-32-32</b>	51	2 1/2-12 UN	75	44,5	61	128	202