

Pressure fittings

Wash cleaner female Wash cleaner female

Connection

Washing machine nipple with metric nut

Application

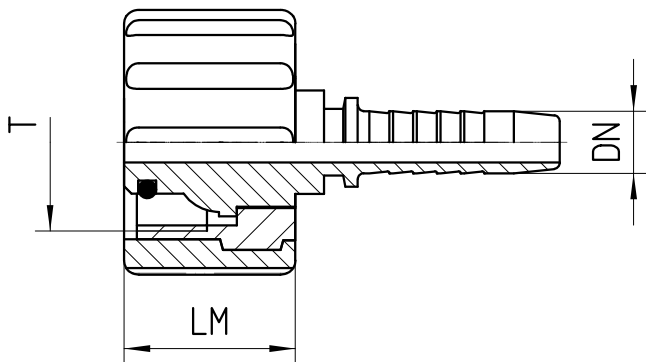
TE / SN / SC / SN-K / PTFE flexible tubes

Material

Steel

Surface protection

Zinc-electroplated



Bestell-Nr.	DN in mm	T	LM in mm
1.021-04	06	M 22x1.5	19,5
1.021-04/M21x1.5	06	M 21x1.5	19,5

1.022-04	06	M 22x1.5	21,6
1.021-05	08	M 22x1.5	19,5
1.021-05/M21x1.5	08	M 21x1.5	19,5
1.022-05	08	M 22x1.5	21,6
1.021-06	10	M 22x1.5	19,5
1.021-06/M21x1.5	10	M 21x1.5	19,5
1.022-06	10	M 22x1.5	21,6