

## Pressure fittings NO-SKIVE 1SC (101 1SC)

### Connection

NO-SKIVE 1SC press holder for dH1000

### Application

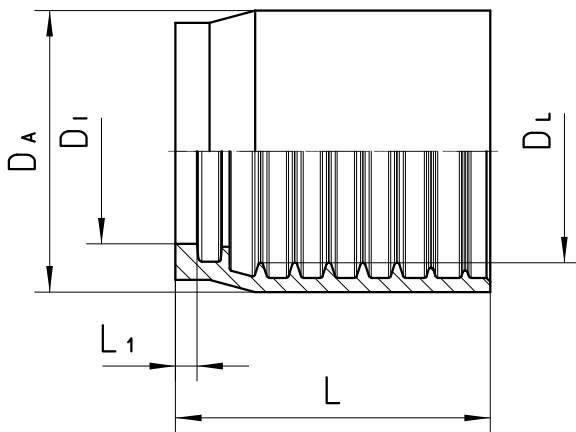
dH1000  
1SC flexible tubes

### Material

Steel

### Surface protection

Zinc-electroplated



Bestell-Nr.	DN in mm	DA in mm	DI in mm	DL in mm	L in mm	L1 in mm	Note
101-04-1SC	06	20,0	12,0	14,0	30,0	2,3	***

<b>101-05-1SC</b>	08	22,0	13,0	14,8	30,0	2,3	***
<b>101-06-1SC</b>	10	24,0	14,5	17,2	32,0	2,4	***
<b>101-16-1SC</b>	25	44,0	31,0	36,7	44,0	3,8	***

**Note**

\*\*\* only for 1SC hoses acc. to 1SC DIN EN 857