

Pressure fittings DKOL straight

Connection

Sealing head 24° outside cone O-ring sealing with metric nut L series

Standard

ISO 8434-1

Application

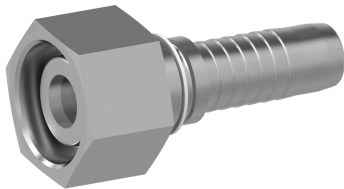
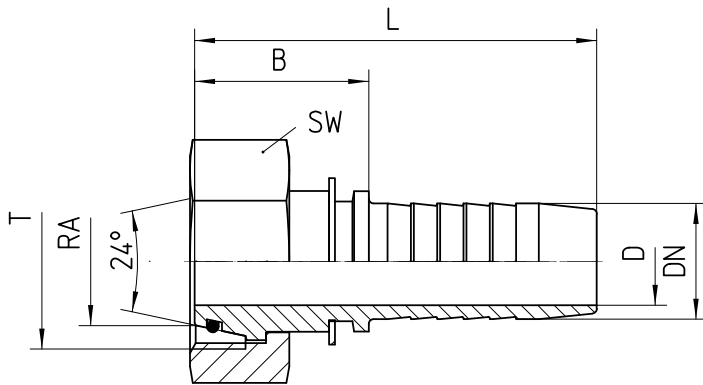
3SPC / 4SP hoses / 4SH19 / 4SH25

Material

Steel

Surface protection

Zinc-electroplated



Bestell-Nr.	DN in mm	RA	T	SW in mm	min. D in mm	B±3 in mm	L±3 in mm
4.051-03-04	06	6L	M 12x1.5	14	2,8	26	60
4.051-04-04	06	8L	M 14x1.5	17	4,0	28	62
4.051-05-04	06	10L	M 16x1.5	19	4,0	30	64
4.051-05-06	10	10L	M 16x1.5	19	5,5	30	64
4.051-06-06	10	12L	M 18x1.5	22	7,0	25	59
4.051-08-06	10	15L	M 22x1.5	27	7,0	29	63
4.051-06-08	12	12L	M 18x1.5	22	7,5	34	72
4.051-08-08	12	15L	M 22x1.5	27	9,0	26	64
4.051-10-08	12	18L	M 26x1.5	32	9,0	34	72
4.051-08-10	16	15L	M 22x1.5	27	10,0	33	75
4.051-10-10	16	18L	M 26x1.5	32	12,0	31	73
4.051-12-10	16	22L	M 30x2.0	36	12,0	32	74
4.051-10-12	19	18L	M 26x1.5	32	12,0	34	80
4.051-12-12	19	22L	M 30x2.0	36	14,8	37	83
4.051-16-12	19	28L	M 36x2.0	41	14,8	37	83
4.051-12-16	25	22L	M 30x2.0	36	14,0	42	97
4.051-16-16	25	28L	M 36x2.0	41	19,9	41	96
4.051-20-16	25	35L	M 45x2.0	50	19,9	43	98