

Pressure fittings DKOL 45°

Connection

Sealing head 24° outside cone O-ring sealing with metric nut L series

Standard

ISO 8434-1

Application

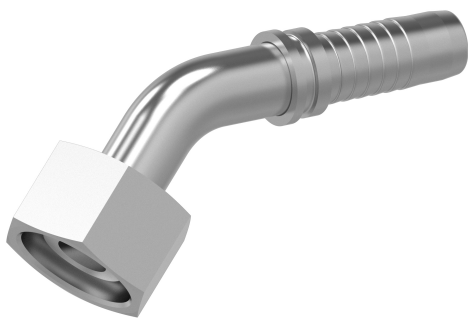
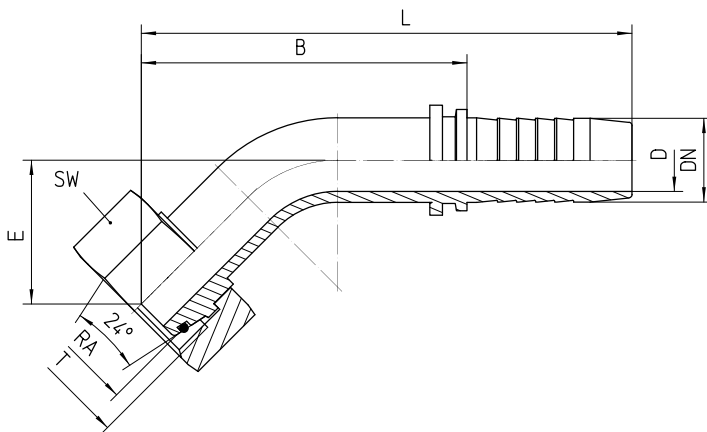
3SPC / 4SP hoses / 4SH19 / 4SH25

Material

Steel

Surface protection

Zinc-electroplated



Bestell-Nr.	DN in mm	RA	T	SW in mm	min. D in mm	E±3 in mm	B±3 in mm	L±3 in mm
-------------	----------	----	---	----------	--------------	-----------	-----------	-----------

4.055-03-04	06	6L	M 12x1.5	14	2,8	17	37	71
4.055-04-04	06	8L	M 14x1.5	17	4,0	17	37	71
4.055-05-04	06	10L	M 16x1.5	19	4,0	18	38	72
4.055-05-06	10	10L	M 16x1.5	19	5,5	21	42	76
4.055-06-06	10	12L	M 18x1.5	22	7,0	20	42	76
4.055-08-06	10	15L	M 22x1.5	27	7,0	20	41	75
4.055-06-08	12	12L	M 18x1.5	22	7,5	24	52	90
4.055-08-08	12	15L	M 22x1.5	27	9,0	24	53	91
4.055-10-08	12	18L	M 26x1.5	32	9,0	25	51	89
4.055-08-10	16	15L	M 22x1.5	27	8,8	30	67	109
4.055-10-10	16	18L	M 26x1.5	32	12,0	27	66	108
4.055-12-10	16	22L	M 30x2.0	36	12,0	29	66	108
4.055-10-12	19	18L	M 26x1.5	32	11,5	33	74	120
4.055-12-12	19	22L	M 30x2.0	36	14,8	32	76	122
4.055-16-12	19	28L	M 36x2.0	41	14,8	32	74	120
4.055-12-16	25	22L	M 30x2.0	36	13,8	36	84	139
4.055-16-16	25	28L	M 36x2.0	41	19,9	37	86	141
4.055-20-16	25	35L	M 45x2.0	50	19,9	39	86	141