

## Pressure fittings DKOS 45°

### Connection

Sealing head 24° outside cone O-ring sealing with metric nut S series

### Standard

ISO 8434-1

### Application

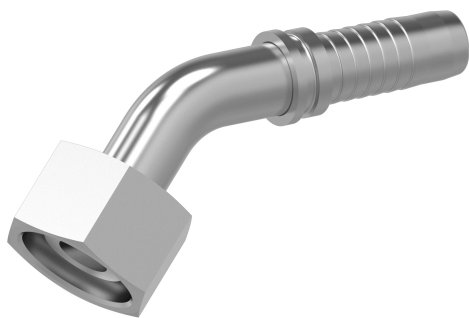
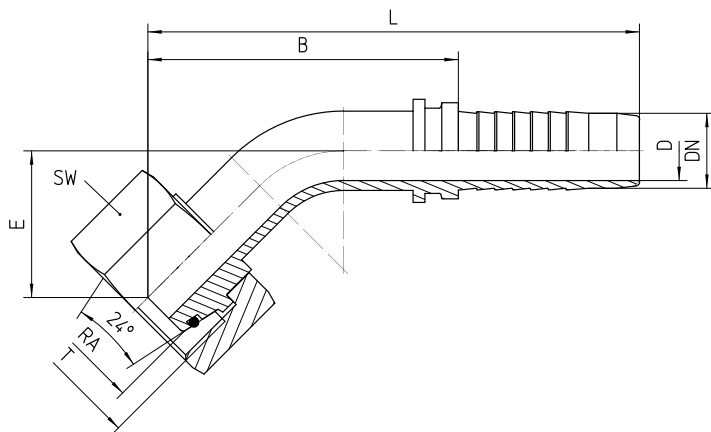
3SPC / 4SP hoses / 4SH19 / 4SH25

### Material

Steel

### Surface protection

Zinc-electroplated



Bestell-Nr.	DN in	RA	T	SW in	min. D in	E±3 in	B±3 in	L±3 in	Note
-------------	-------	----	---	-------	-----------	--------	--------	--------	------

	mm			mm	mm	mm	mm	mm	
<b>4.085-03-04</b>	06	8S	M 16x1.5	19	4,0	18	38	72	
<b>4.085-04-04</b>	06	10S	M 18x1.5	22	4,0	19	39	73	
<b>4.085-05-04</b>	06	12S	M 20x1.5	24	4,0	18	38	72	
<b>4.085-05-06</b>	10	12S	M 20x1.5	24	7,0	20	41	75	
<b>4.085-06-06</b>	10	14S	M 22x1.5	27	7,0	21	42	76	
<b>4.085-08-06</b>	10	16S	M 24x1.5	30	7,0	20	41	75	
<b>4.085-06-08</b>	12	14S	M 22x1.5	27	7,0	26	53	91	
<b>4.085-08-08</b>	12	16S	M 24x1.5	30	9,0	25	53	91	
<b>4.085-10-08</b>	12	20S	M 30x2.0	36	9,0	27	55	93	
<b>4.085-08-10</b>	16	16S	M 24x1.5	30	10,0	32	68	110	
<b>4.085-10-10</b>	16	20S	M 30x2.0	36	12,0	29	70	112	
<b>4.085-12-10/SW41</b>	16	25S	M 36x2.0	41	12,0	32	69	111	a
<b>4.085-12-10/SW46</b>	16	25S	M 36x2.0	46	12,0	32	69	111	
<b>4.085-10-12</b>	19	20S	M 30x2.0	36	13,0	34	76	122	
<b>4.085-12-12/SW41</b>	19	25S	M 36x2.0	41	14,8	36	77	123	a
<b>4.085-12-12/SW46</b>	19	25S	M 36x2.0	46	14,8	36	77	123	

<b>4.085-16-12</b>	19	30S	M 42x2.0	50	14,8	35	72	118	
<b>4.085-12-16/SW46</b>	25	25S	M 36x2.0	46	13,5	40	87	142	
<b>4.085-16-16</b>	25	30S	M 42x2.0	50	19,9	42	89	144	
<b>4.085-20-16</b>	25	38S	M 52x2.0	60	19,9	36	84	139	

**Note**

a) not according to ISO 8434-1