

Pressure fittings DKOS 90°

Connection

Sealing head 24° outside cone O-ring sealing with metric nut S series

Standard

ISO 8434-1

Application

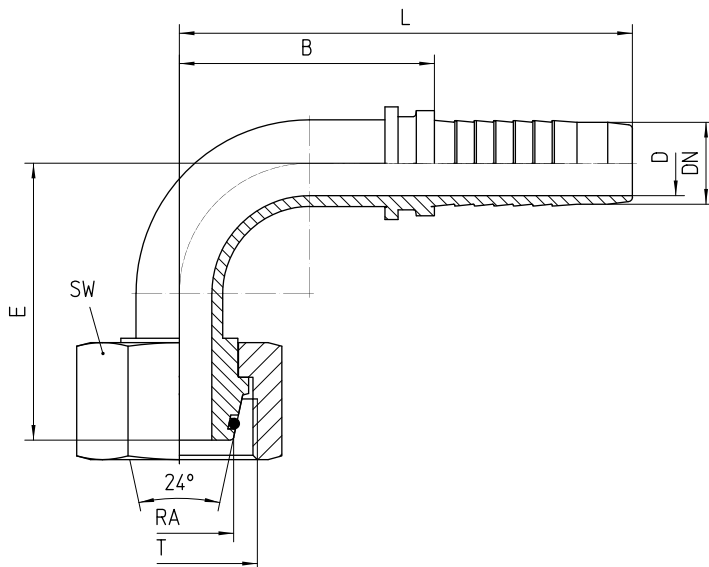
3SPC / 4SP hoses / 4SH19 / 4SH25

Material

Steel

Surface protection

Zinc-electroplated





Bestell-Nr.	DN in mm	RA	T	SW in mm	min. D in mm	E±3 in mm	B±3 in mm	L±3 in mm	Note
4.089-03-04	06	8S	M 16x1.5	19	4,0	33	27	61	
4.089-04-04	06	10S	M 18x1.5	22	4,0	33	27	61	
4.089-05-04	06	12S	M 20x1.5	24	4,0	32	27	61	
4.089-05-06	10	12S	M 20x1.5	24	7,0	35	31	65	
4.089-06-06	10	14S	M 22x1.5	27	7,0	36	31	65	
4.089-08-06	10	16S	M 24x1.5	30	7,0	36	31	65	
4.089-06-08	12	14S	M 22x1.5	27	7,0	45	43	81	
4.089-08-08	12	16S	M 24x1.5	30	9,0	46	42	80	
4.089-10-08	12	20S	M 30x2.0	36	9,0	47	43	81	
4.089-08-10	16	16S	M 24x1.5	30	10,0	56	52	94	

4.089-10-10	16	20S	M 30x2.0	36	12,0	57	53	95	
4.089-12-10/SW41	16	25S	M 36x2.0	41	12,0	59	51	93	a
4.089-12-10/SW46	16	25S	M 36x2.0	46	12,0	59	51	93	
4.089-10-12	19	20S	M 30x2.0	36	13,0	65	58	104	
4.089-12-12/SW41	19	25S	M 36x2.0	41	14,8	65	60	106	a
4.089-12-12/SW46	19	25S	M 36x2.0	46	14,8	65	60	106	
4.089-16-12	19	30S	M 42x2.0	50	14,8	65	60	106	
4.089-12-16/SW46	25	25S	M 36x2.0	46	13,5	78	65	120	
4.089-16-16	25	30S	M 42x2.0	50	19,9	76	67	122	
4.089-20-16	25	38S	M 52x2.0	60	19,9	76	65	120	

Note

a) not according to ISO 8434-1