

Pressure fittings SFS 45°

Connection

SAE flange 6000PSI (S series)

Standard

ISO 6162-2

Application

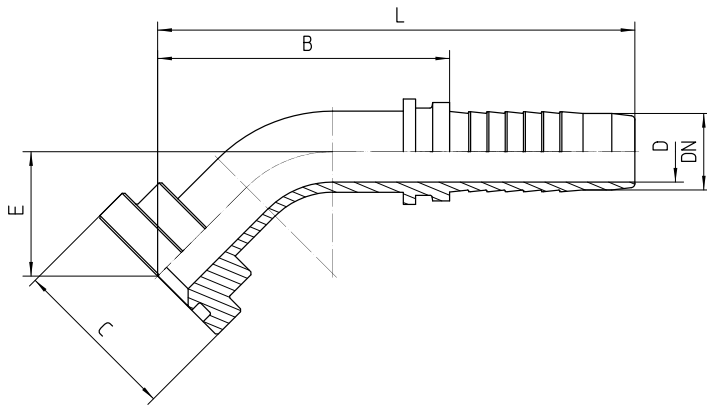
3SPC / 4SP hoses / 4SH19 / 4SH25

Material

Steel

Surface protection

Zinc-electroplated



Bestell-Nr.	DN in mm	flange in inch	C in mm	min. D in mm	E±3 in mm	B±3 in mm	L±3 in mm
-------------	----------	----------------	---------	--------------	-----------	-----------	-----------

4.451-08-08	12	1/2	31,7	9,0	22	50	88
4.451-12-08	12	3/4	41,3	9,0	22	50	88
4.451-08-10	16	1/2	31,7	12,0	28	67	109
4.451-12-10	16	3/4	41,3	12,0	29	64	106
4.451-08-12	19	1/2	31,7	14,0	31	74	120
4.451-12-12	19	3/4	41,3	14,8	32	73	119
4.451-16-12	19	1	47,6	14,8	32	73	119
4.451-12-16	25	3/4	41,3	19,9	36	87	142
4.451-16-16	25	1	47,6	19,9	37	84	139
4.451-20-16	25	1 1/4	54,0	19,9	34	85	140