

## Pressure fittings DKOS straight

### Connection

Sealing head 24° outside cone O-ring sealing with metric nut S series

### Standard

ISO 8434-1

### Application

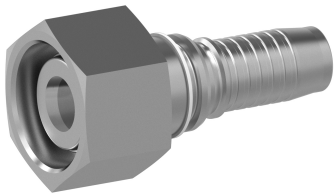
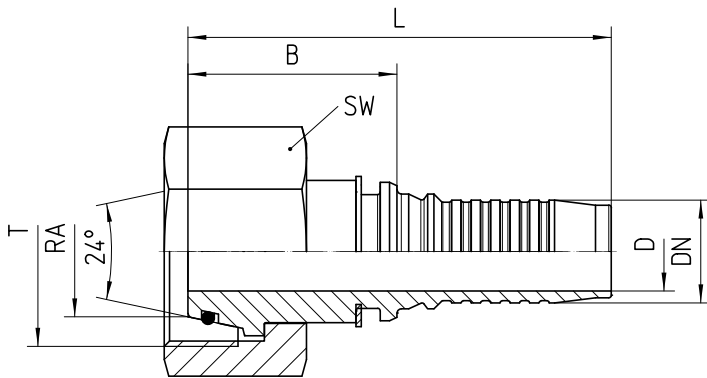
4SH flexible tubes

### Material

Steel

### Surface protection

Zinc-electroplated



Bestell-Nr.	DN in mm	RA	T	SW in mm	min. D in mm	B±3 in mm	L±3 in mm	Note
5.081-10-12	19	20S	M 30x2.0	36	13,0	38	79	
5.081-12-12/SW41	19	25S	M 36x2.0	41	15,0	39	80	a
5.081-12-12/SW46	19	25S	M 36x2.0	46	15,0	39	80	
5.081-16-12	19	30S	M 42x2.0	50	14,8	41	81	
5.081-12-16/SW46	25	25S	M 36x2.0	46	15,0	42	92	b
5.081-16-16	25	30S	M 42x2.0	50	20,0	40	94	b
5.081-20-16	25	38S	M 52x2.0	60	20,0	37	89	b
5.081-16-20	31	30S	M 42x2.0	50	20,0	36	105	
5.081-20-20	31	38S	M 52x2.0	60	26,5	41	110	
5.081-20-24	38	38S	M 52x2.0	60	25,0	39	108	

**Note**

a) not according to ISO 8434-1, b) changed outline to improve the safety, therefore measurements differ from standard systems

**Accessories**

3437309