

## Pressure fittings SFL 45°

### Connection

SAE flange 3000PSI (L series)

### Standard

ISO 6162-1

### Application

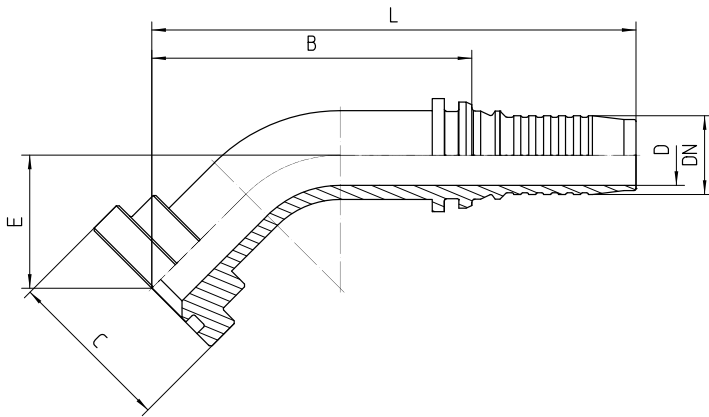
4SH flexible tubes

### Material

Steel

### Surface protection

Zinc-electroplated



Bestell-Nr.	DN in	flange in	C in	min. D in	E±3 in	B±3 in	L±3 in	Note
-------------	-------	-----------	------	-----------	--------	--------	--------	------

	mm	inch	mm	mm	mm	mm	mm	
<b>5.450-08-12</b>	19	1/2	30,2	13,5	34	77	118	
<b>5.450-12-12</b>	19	3/4	38,1	14,8	30	79	120	
<b>5.450-16-12</b>	19	1	44,5	14,8	34	77	118	
<b>5.450-12-16</b>	25	3/4	38,1	23,0	32	88	140	*
<b>5.450-16-16</b>	25	1	44,5	20,0	32	88	140	*
<b>5.450-20-16</b>	25	1 1/4	50,8	20,0	32	88	140	*
<b>5.450-16-20</b>	31	1	44,5	25,0	44	115	184	
<b>5.450-20-20</b>	31	1 1/4	50,8	25,0	42	113	182	
<b>5.450-24-20</b>	31	1 1/2	60,3	25,0	50	118	187	
<b>5.450-20-24</b>	38	1 1/4	50,8	26,0	50	113	182	
<b>5.450-24-24</b>	38	1 1/2	60,3	30,0	50	126	195	
<b>5.450-32-24</b>	38	2	71,4	30,0	45	116	185	
<b>5.450-24-32</b>	51	1 1/2	60,3	30,0	52	127	192	
<b>5.450-32-32</b>	51	2	71,4	40,0	65	138	203	

**Note**

\* changed outline to improve the safety, therefore measurements differ from standard systems

**Accessories**

3437453