

Pressure fittings SFS 45°

Connection

SAE flange 6000PSI (S series)

Standard

ISO 6162-2

Application

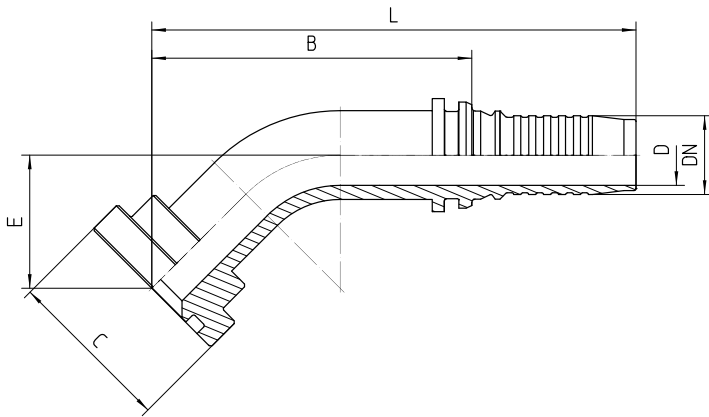
4SH flexible tubes

Material

Steel

Surface protection

Zinc-electroplated



Bestell-Nr.	DN in	flange in	C in	min. D in	E±3 in	B±3 in	L±3 in	Note
-------------	-------	-----------	------	-----------	--------	--------	--------	------

	mm	inch	mm	mm	mm	mm	mm	
5.451-08-12	19	1/2	31,7	14,0	33	79	120	
5.451-12-12	19	3/4	41,3	14,8	32	78	119	
5.451-16-12	19	1	47,6	14,8	36	76	117	
5.451-12-16	25	3/4	41,3	20,0	35	88	140	*
5.451-16-16	25	1	47,6	20,0	38	92	144	*
5.451-20-16	25	1 1/4	54,0	20,0	35	93	145	*
5.451-16-20	31	1	47,6	25,0	45	116	185	
5.451-20-20	31	1 1/4	54,0	25,0	45	116	185	
5.451-24-20	31	1 1/2	63,5	25,0	53	121	190	
5.451-20-24	38	1 1/4	54,0	26,0	53	131	200	
5.451-24-24	38	1 1/2	63,5	30,0	53	116	185	
5.451-32-24	38	2	79,4	30,0	55	126	195	
5.451-24-32	51	1 1/2	63,5	30,0	55	130	195	
5.451-32-32	51	2	79,4	40,0	55	130	195	

Note
 * changed outline to improve the safety, therefore measurements differ from standard systems

Accessories
 3437453