

Pressure fittings DKOS 45°

Connection

Sealing head 24° outside cone O-ring sealing with metric nut S series

Standard

ISO 8434-1

Application

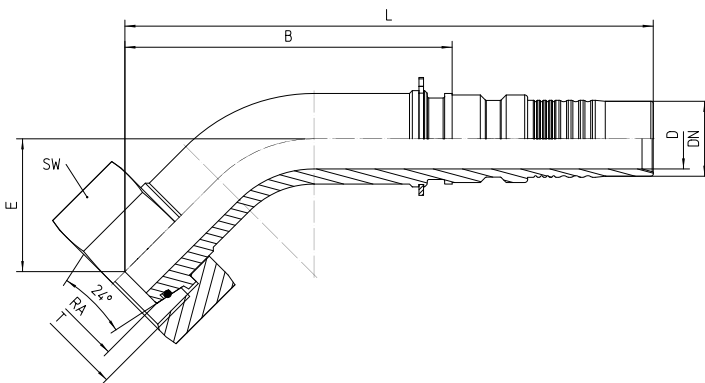
4SH / R15 / R13 (DN51) flexible tubes

Material

Steel

Surface protection

Zinc-electroplated



Bestell-Nr.	DN in mm	RA	T	SW in mm	min. D in mm	E±3 in mm	B±3 in mm	L±3 in mm	Note

7.085-10-10	16	20S	M 30x2	36	12,0	30	73	120	
7.085-12-12/SW41	19	25S	M 36x2	41	15,0	41	92	148	a
7.085-12-12/SW46	19	25S	M 36x2	46	15,0	41	92	148	
7.085-12-16/SW46	25	25S	M 36x2	46	17,0	48	119	185	b
7.085-16-16	25	30S	M 42x2	50	20,0	44	108	175	
7.585-20-16	25	38S	M 52x2	60	20,0	60	151	218	
7.585-20-20	31	38S	M 52x2	60	25,0	56	143	223	
7.585-20-24	38	38S	M 52x2	60	25,0	52	154	245	b

Note

a) not according to ISO 8434-1, b) wire nut

Accessories

3437309