

Pressure fittings DKJ 45°

Connection

Sealing head 74° inner cone with UN nut

Standard

ISO 8434-2

Application

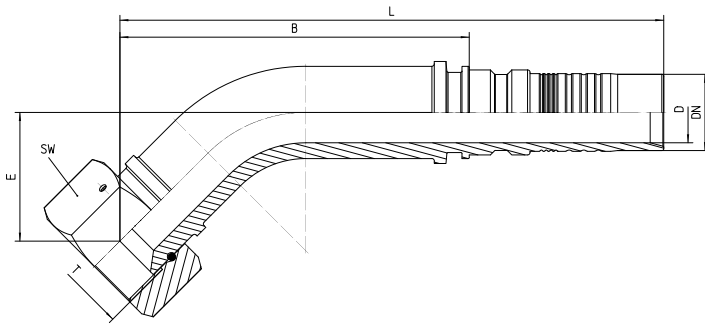
4SH / R15 / R13 (DN51) flexible tubes

Material

Steel

Surface protection

Zinc-electroplated



Bestell-Nr.	DN in mm	T in UN	SW in mm	min.D in mm	E in mm	B±3 in mm	L±3 in mm
7.343-12-12	19	1 1/16-12 UN	32	15,0	36	92	148

7.343-16-16	25	1 5/16-12 UN	41	20,0	50	121	188
7.343-20-20	31	1 5/8-12 UN	55	25,0	53	144	224
7.343-24-24	38	1 7/8-12 UN	60	30,0	68	157	248
7.343-32-32	51	2 1/2-12 UN	75	40,0	76	190	281