

Suction and low-pressure fittings DKM 45°

Connection

Sealing head 60° outside cone with metric nut LL series

Standard

DIN 3863

Application

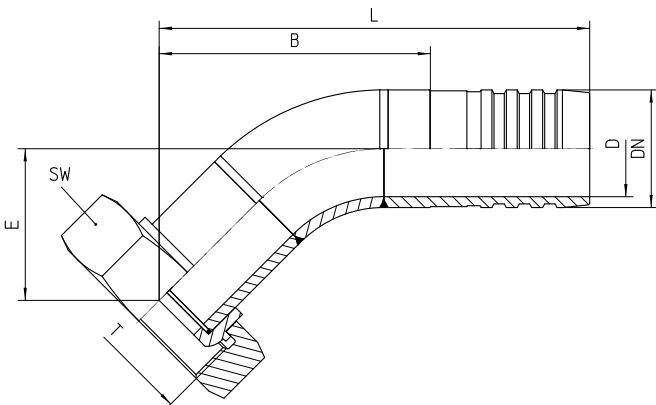
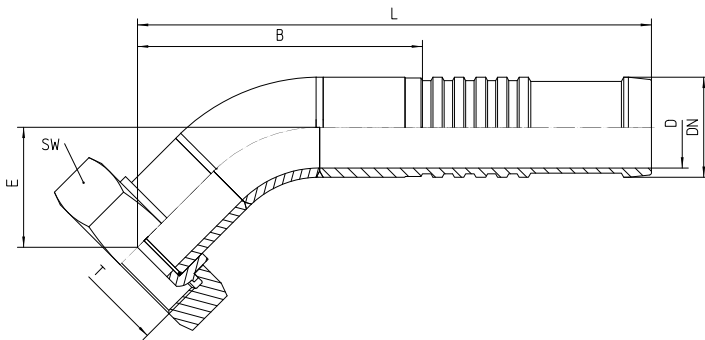
14A / 17A flexible tubes

Material

Steel

Surface protection

Zinc-electroplated



Bestell-Nr.	DN in mm	T	SW in mm	D in mm	E±3 in mm	B±3 in mm	L±3 in mm	Order No.	B±3 in mm	L±3 in mm
17.015-12-12	19	M30x1.5	36	14	20	60	140	17.015K-12-12	56	100
17.015-16-12	19	M38x1.5	46	14	20	60	140	17.015K-16-12	56	100
17.015-12-16	25	M30x1.5	36	19	45	85	165	17.015K-12-16	81	125
17.015-16-16	25	M38x1.5	46	19	30	70	150	17.015K-16-16	66	110
17.015-20-16	25	M45x1.5	55	19	30	70	150	17.015K-20-16	66	110
17.015-12-20	31	M30x1.5	36	26	47	90	170	17.015K-12-20	86	130
17.015-16-20	31	M38x1.5	46	26	47	90	170	17.015K-16-20	86	130
17.015-20-20	31	M45x1.5	55	26	52	80	160	17.015K-20-20	76	120
17.015-24-20	31	M52x1.5	60	26	37	85	165	17.015K-24-20	81	125
17.015-16-24	38	M38x1.5	46	32	49	100	180	17.015K-16-24	96	140
17.015-20-24	38	M45x1.5	55	32	49	100	180	17.015K-20-24	96	140
17.015-24-24	38	M52x1.5	60	32	39	90	170	17.015K-24-24	86	130
17.015-32-24	38	M65x2.0	75	32	39	90	170	17.015K-32-24	86	130
17.015-20-32	51	M45x1.5	55	44	57	100	190	17.015K-20-32	105	150
17.015-24-32	51	M52x1.5	60	44	54	133	223	17.015K-24-32	105	150

17.015-32-32	51	M65x2.0	75	44	41	123	213	17.015K-32-32	90	135
17.015-40-32	51	M78x2.0	90	44	50	95	185	17.015K-40-32	100	145
17.015-24-36	60	M52x1.5	60	53	45	100	190	17.015K-24-36	105	150
17.015-32-36	60	M65x2.0	75	53	52	100	190	17.015K-32-36	105	150
17.015-40-36	60	M78x2.0	90	53	42	84	176	17.015K-40-36	95	140
17.015-48-36	60	M90x2.0	100	53	52	115	205	17.015K-48-36	120	165
17.015-32-48	76	M 65x2.0	75	69	65	140	230	17.015K-32-48	145	173
17.015-40-48	76	M 78x2.0	90	69	60	165	215	17.015K-40-48	115	160
17.015-48-48	76	M 90x2.0	100	69	54	105	195	17.015K-48-48	110	155
17.015-56-48	76	M100x2.0	110	69	60	110	215	17.015K-56-48	115	160
17.015-40-56	90	M 78x2.0	90	82	64	148	238	17.015K-40-56	153	198
17.015-48-56	90	M 90x2.0	100	82	75	160	250	17.015K-48-56	165	210
17.015-56-56	90	M100x2.0	110	82	75	160	250	17.015K-56-56	165	210
17.015-48-64	102	M 90x2.0	100	94	75	138	228	17.015K-48-64	140	188
17.015-56-64	102	M100x2.0	110	94	80	160	250	17.015K-56-64	162	210