

## Suction and low-pressure fittings CEL straight

### Connection

Metric male thread 24° with inner cone and pipe connection L series

### Standard

ISO 8434-1

### Application

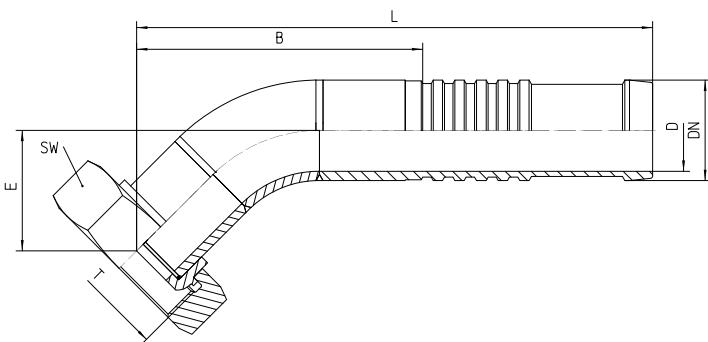
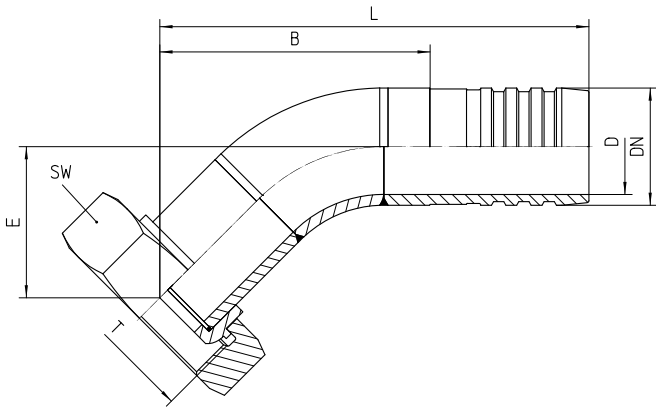
14A / 17A flexible tubes

### Material

Steel

### Surface protection

Zinc-electroplated



Bestell-Nr.	RA	G	DN in mm	SW in mm	D in mm	B±3 in mm	L±3 in mm	Order No.	B±3 in mm	L±3 in mm
<b>17.170-10-12</b>	18L	M 26x1.5	19	27	14	32	112	17.170K-10-12	28	72
<b>17.170-12-12</b>	22L	M 30x2.0	19	36	14	34	114	17.170K-12-12	30	74
<b>17.170-16-12</b>	28L	M 36x2.0	19	36	14	35	115	17.170K-16-12	31	75
<b>17.170-12-16</b>	22L	M 30x2.0	25	36	19	46	126	17.170K-12-16	42	86
<b>17.170-16-16</b>	28L	M 36x2.0	25	36	19	35	115	17.170K-16-16	31	75
<b>17.170-20-16</b>	35L	M 45x2.0	25	46	19	34	114	17.170K-20-16	34	78
<b>17.170-24-16</b>	42L	M 52x2.0	25	55	19	41	121	17.170K-24-16	37	81
<b>17.170-12-20</b>	22L	M 30x2.0	31	36	26	48	128	17.170K-12-20	44	88
<b>17.170-16-20</b>	28L	M 36x2.0	31	36	26	37	117	17.170K-16-20	33	77
<b>17.170-20-20</b>	35L	M 45x2.0	31	46	26	38	118	17.170K-20-20	34	78
<b>17.170-24-20</b>	42L	M 52x2.0	31	55	26	48	128	17.170K-24-20	37	81
<b>17.170-12-24</b>	22L	M 30x2.0	38	36	32	48	128	17.170K-12-24	37	81
<b>17.170-16-24</b>	28L	M 36x2.0	38	36	32	47	127	17.170K-16-24	43	87
<b>17.170-20-24</b>	35L	M 45x2.0	38	46	32	38	118	17.170K-20-24	44	88
<b>17.170-24-24</b>	42L	M 52x2.0	38	55	32	41	121	17.170K-24-24	37	81

<b>17.170-16-32</b>	28L	M 36x2.0	51	36	44	50	142	17.170K- 16-32	57	102
<b>17.170-20-32</b>	35L	M 45x2.0	51	46	44	79	171	17.170K- 20-32	55	100
<b>17.170-24-32</b>	42L	M 52x2.0	51	55	44	39	131	17.170K- 24-32	46	91
<b>17.170-20-36</b>	35L	M 45x2.0	60	46	53	58	150	17.170K- 20-36	65	110
<b>17.170-24-36</b>	42L	M 52x2.0	60	55	53	56	148	17.170K- 24-36	63	108