

Suction and low-pressure fittings DKOL straight

Connection

Sealing head 24° outside cone O-ring sealing with metric nut L series

Standard

ISO 8434-1

Application

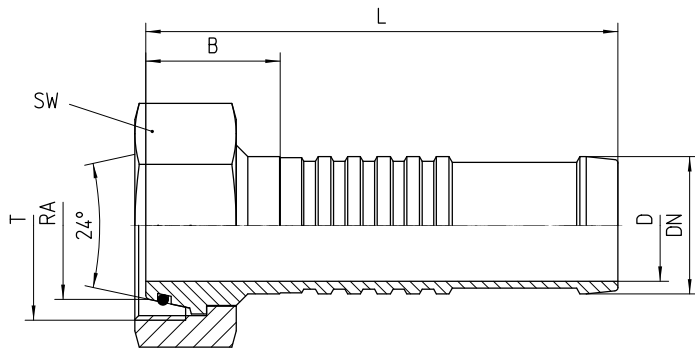
14A / 17A flexible tubes

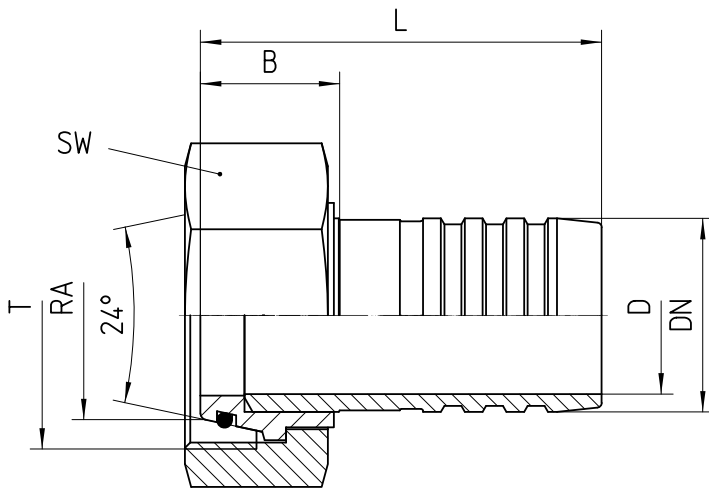
Material

Steel

Surface protection

Zinc-electroplated





Bestell-Nr.	DN in mm	RA	T	SW in mm	D in mm	B±3 in mm	L±3 in mm	Order No.	B±3 in mm	L±3 in mm
17.051-10-12	19	18L	M26x1.5	32	14	28	108	17.051K-10-12	23	67
17.051-12-12	19	22L	M30x2.0	36	14	28	108	17.051K-12-12	24	68
17.051-16-12	19	28L	M36x2.0	41	14	28	108	17.051K-16-12	24	68
17.051-12-16	25	22L	M30x2.0	36	19	28	108	17.051K-12-16	46	90
17.051-16-16	25	28L	M36x2.0	41	19	28	108	17.051K-16-16	24	68
17.051-20-16	25	35L	M45x2.0	50	19	30	110	17.051K-20-16	26	70
17.051-24-16	25	42L	M52x2.0	60	19	30	110	17.051K-24-16	26	70
17.051-12-20	31	22L	M30x2.0	36	26	72	152	17.051K-12-20	44	88
17.051-16-20	31	28L	M36x2.0	41	26	45	125	17.051K-	41	85

								16-20		
17.051-20-20	31	35L	M45x2.0	50	26	30	110	17.051K-20-20	26	70
17.051-24-20	31	42L	M52x2.0	60	26	38	118	17.051K-24-20	26	70
17.051-12-24	38	22L	M30x2.0	36	32	63	143	17.051K-12-24	56	100
17.051-16-24	38	28L	M36x2.0	41	32	65	145	17.051K-16-24	46	90
17.051-20-24	38	35L	M45x2.0	50	32	47	127	17.051K-20-24	43	87
17.051-24-24	38	42L	M52x2.0	60	32	30	110	17.051K-24-24	26	70
17.051-16-32	51	28L	M36x2.0	41	44	68	160	17.051K-16-32	70	115
17.051-20-32	51	35L	M45x2.0	50	44	67	159	17.051K-20-32	55	100
17.051-24-32	51	42L	M52x2.0	60	44	69	161	17.051K-24-32	58	103
17.051-20-36	60	35L	M45x2.0	50	53	63	155	17.051K-20-36	70	115
17.051-24-36	60	42L	M52x2.0	60	53	63	155	17.051K-24-36	70	115