

Suction and low-pressure fittings DKOL 90°

Connection

Sealing head 24° outside cone O-ring sealing with metric nut L series

Standard

ISO 8434-1

Application

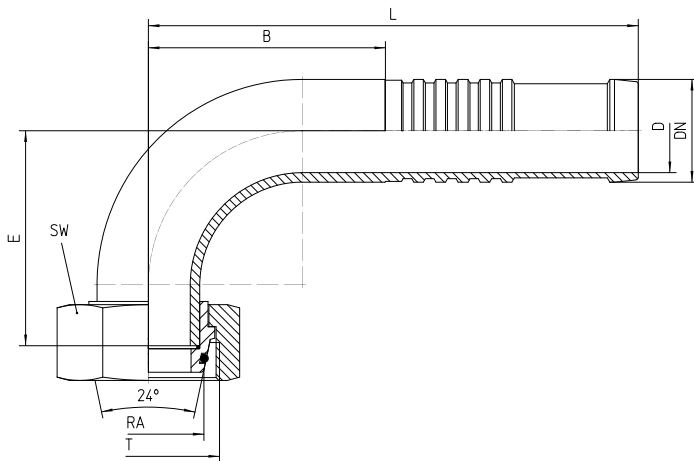
14A / 17A flexible tubes

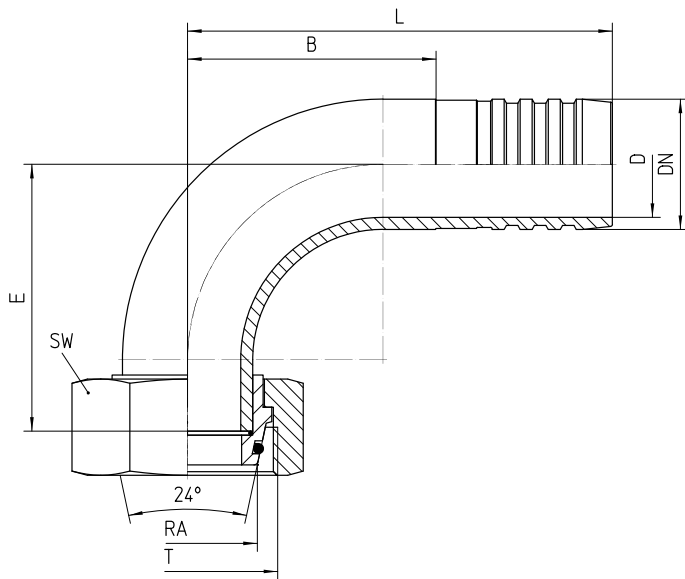
Material

Steel

Surface protection

Zinc-electroplated





Bestell-Nr.	DN in mm	RA	T	SW in mm	D in mm	E±3 in mm	B±3 in mm	L±3 in mm	Order No.	B±3 in mm	L±3 in mm
17.059-10-12	19	18L	M26x1.5	32	14	53	47	127	17.059K-10-12	50	94
17.059-12-12	19	22L	M30x2.0	36	14	51	47	127	17.059K-12-12	50	94
17.059-16-12	19	28L	M36x2.0	41	14	54	47	127	17.059K-16-12	50	94
17.059-12-16	25	22L	M30x2.0	36	19	67	59	139	17.059K-12-16	56	100
17.059-16-16	25	28L	M36x2.0	41	19	65	59	139	17.059K-16-16	56	100
17.059-20-16	25	35L	M45x2.0	50	19	66	59	139	17.059K-20-16	56	100
17.059-24-16	25	42L	M52x2.0	60	19	65	59	139	17.059K-24-16	56	100
17.059-12-20	31	22L	M30x2.0	36	26	80	75	155	17.059K-12-20	62	106
17.059-16-20	31	28L	M36x2.0	41	26	82	75	155	17.059K-	62	106

									16-20		
17.059-20-20	31	35L	M45x2.0	50	26	75	75	155	17.059K-20-20	62	106
17.059-24-20	31	42L	M52x2.0	60	26	75	75	155	17.059K-24-20	62	106
17.059-12-24	38	22L	M30x2.0	36	32	118	90	170	17.059K-12-24	71	115
17.059-16-24	38	28L	M36x2.0	41	32	93	90	170	17.059K-16-24	71	115
17.059-20-24	38	35L	M45x2.0	50	32	91	90	170	17.059K-20-24	71	115
17.059-24-24	38	42L	M52x2.0	60	32	90	90	170	17.059K-24-24	71	115
17.059-16-32	51	28L	M36x2.0	41	44	152	128	220	17.059K-16-32	121	166
17.059-20-32	51	35L	M45x2.0	50	44	113	128	220	17.059K-20-32	121	166
17.059-24-32	51	42L	M52x2.0	60	44	112	128	220	17.059K-24-32	121	166
17.059-20-36	60	35L	M45x2.0	50	53	128	89	181	17.059K-20-36	96	141
17.059-24-36	60	42L	M52x2	60	53	127	89	181	17.059K-24-36	96	141