

Suction and low-pressure fittings AGR conical straight

Connection

BSPT male thread (R) coned sealing

Application

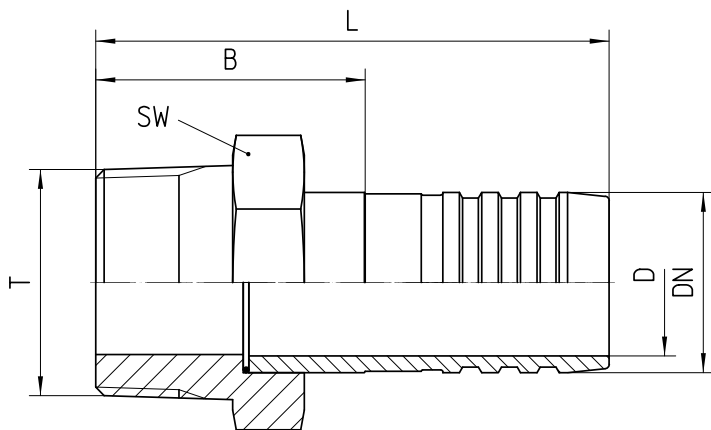
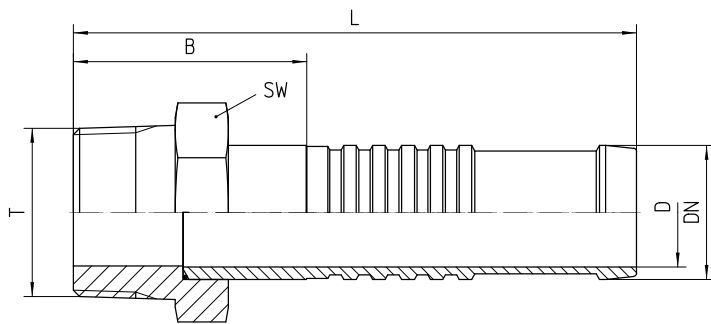
14A / 17A flexible tubes

Material

Steel

Surface protection

Zinc-electroplated



Bestell-Nr.	DN in mm	T in inch	SW in mm	D in mm	B±3 in mm	L±3 in mm	Order No.	B±3 in mm	L±3 in mm

17.301-08-12	19	R 1/2	22	14	30	110	17.301K-08-12	37	81
17.301-12-12	19	R 3/4	30	14	42	122	17.301K-12-12	38	82
17.301-16-12	19	R 1	41	14	46	126	17.301K-16-12	42	86
17.301-12-16	25	R 3/4	27	19	40	120	17.301K-12-16	36	80
17.301-16-16	25	R 1	41	19	35	115	17.301K-16-16	41	85
17.301-20-16	25	R 1 1/4	46	19	47	127	17.301K-20-16	56	100
17.301-12-20	31	R 3/4	27	26	52	132	17.301K-12-20	36	80
17.301-16-20	31	R 1	41	26	56	136	17.301K-16-20	36	80
17.301-20-20	31	R 1 1/4	46	26	57	137	17.301K-20-20	49	93
17.301-24-20	31	R 1 1/2	50	26	57	137	17.301K-24-20	53	97
17.301-12-24	38	R 3/4	27	32	48	128	17.301K-12-24	44	88
17.301-16-24	38	R 1	41	32	44	124	17.301K-16-24	44	88
17.301-20-24	38	R 1 1/4	46	32	47	127	17.301K-20-24	43	87
17.301-24-24	38	R 1 1/2	50	32	47	127	17.301K-24-24	52	96
17.301-32-24	38	R 2	65	32	66	146	17.301K-32-24	62	106
17.301-16-32	51	R 1	41	44	73	165	17.301K-16-32	70	115
17.301-20-32	51	R 1	46	44	78	170	17.301K-	71	116

		1/4					20-32		
17.301-24-32	51	R 1 1/2	50	44	78	170	17.301K- 24-32	65	110
17.301-32-32	51	R 2	65	44	61	153	17.301K- 32-32	68	113
17.301-40-32	51	R 2 1/2	80	44	63	155	17.301K- 40-32	70	115
17.301-20-36	60	R 1 1/4	46	53	82	174	17.301K- 20-36	71	116
17.301-24-36	60	R 1 1/2	50	53	82	174	17.301K- 24-36	72	117
17.301-32-36	60	R 2	65	53	58	150	17.301K- 32-36	77	122
17.301-40-36	60	R 2 1/2	80	53	63	155	17.301K- 40-36	70	115
17.301-48-36	60	R 3	90	53	73	165	17.301K- 48-36	80	125
17.301-32-48	76	R 2	65	69	92	184	17.301K- 32-48	78	123
17.301-40-48	76	R 2 1/2	80	69	82	174	17.301K- 40-48	69	114
17.301-48-48	76	R 3	90	69	85	177	17.301K- 48-48	72	117
17.301-40-56	90	G 2 1/2	80	82	81	173	17.301K- 40-56	88	133
17.301-48-56	90	G 3	90	82	78	170	17.301K- 48-56	95	140
17.301-48-64	102	G 3	90	94	123	215	17.301K- 48-64	104	152