

## Suction and low-pressure fittings SFL straight

### Connection

SAE flange 3000PSI (L series)

### Standard

ISO 6162-1

### Application

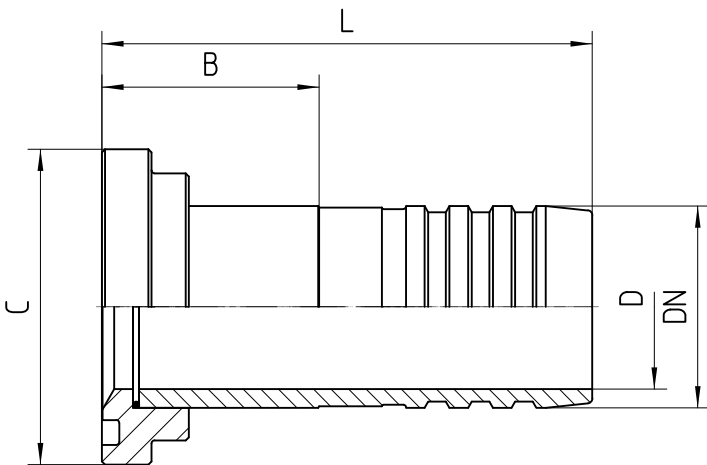
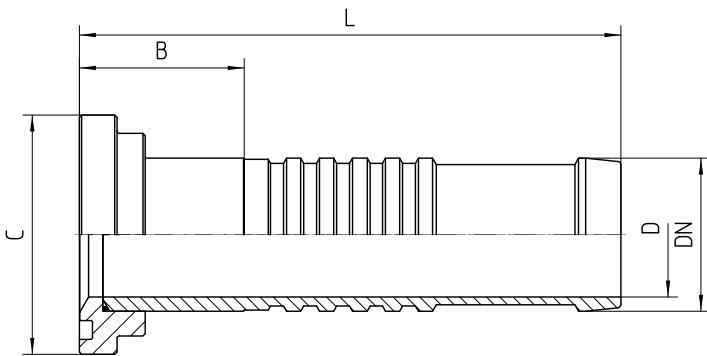
14A / 17A flexible tubes

### Material

Steel

### Surface protection

Zinc-electroplated



Bestell-Nr.	DN in mm	flange in inch	C in mm	D in mm	B±3 in mm	L±3 in mm	Order-No.	B±3 in mm	L±3 in mm

<b>17.420-08-12</b>	19	1/2	30,2	14	36	116	17.420K-08-12	32	76
<b>17.420-12-12</b>	19	3/4	38,1	14	27	107	17.420K-12-12	23	67
<b>17.420-16-12</b>	19	1	44,4	14	27	107	17.420K-16-12	23	67
<b>17.420-20-12</b>	19	1 1/4	50,8	14	24	104	17.420K-20-12	20	64
<b>17.420-12-16</b>	25	3/4	38,1	19	46	126	17.420K-12-16	42	86
<b>17.420-16-16</b>	25	1	44,4	19	27	107	17.420K-16-16	23	67
<b>17.420-20-16</b>	25	1 1/4	50,8	19	27	107	17.420K-20-16	23	67
<b>17.420-24-16</b>	25	1 1/2	60,3	19	28	108	17.420K-24-16	24	68
<b>17.420-12-20</b>	31	3/4	38,1	26	68	148	17.420K-12-20	44	88
<b>17.420-16-20</b>	31	1	44,4	26	47	127	17.420K-16-20	43	87
<b>17.420-20-20</b>	31	1 1/4	50,8	26	37	117	17.420K-20-20	33	77
<b>17.420-24-20</b>	31	1 1/2	60,3	26	38	118	17.420K-24-20	43	87
<b>17.420-32-20</b>	31	2	71,4	26	47	127	17.420K-32-20	43	87
<b>17.420-16-24</b>	38	1	44,4	32	49	129	17.420K-16-24	45	89
<b>17.420-20-24</b>	38	1 1/4	50,8	32	45	125	17.420K-20-24	41	85
<b>17.420-24-24</b>	38	1 1/2	60,3	32	28	108	17.420K-24-24	34	78
<b>17.420-32-24</b>	38	2	71,4	32	46	126	17.420K-	42	86

							32-24		
<b>17.420-40-24</b>	38	2 1/2	84,1	32	46	126	17.420K-40-24	62	106
<b>17.420-20-32</b>	51	1 1/4	50,8	44	71	163	17.420K-20-32	73	118
<b>17.420-24-32</b>	51	1 1/2	60,3	44	63	155	17.420K-24-32	60	105
<b>17.420-32-32</b>	51	2	71,4	44	36	128	17.420K-32-32	53	98
<b>17.420-40-32</b>	51	2 1/2	84,1	44	46	138	17.420K-40-32	63	108
<b>17.420-48-32</b>	51	3	101,6	44	45	137	17.420K-48-32	63	108
<b>17.420-24-36</b>	60	1 1/2	60,3	53	62	154	17.420K-24-36	75	120
<b>17.420-32-36</b>	60	2	71,4	53	58	150	17.420K-32-36	65	110
<b>17.420-40-36</b>	60	2 1/2	84,1	53	38	130	17.420K-40-36	45	90
<b>17.420-48-36</b>	60	3	101,6	53	58	150	17.420K-48-36	65	110
<b>17.420-56-36</b>	60	3 1/2	114,3	53	127	219	17.420K-56-36	75	120
<b>17.420-32-48</b>	76	2	71,4	69	93	185	17.420K-32-48	100	145
<b>17.420-40-48</b>	76	2 1/2	84,1	69	77	169	17.420K-40-48	84	129
<b>17.420-48-48</b>	76	3	101,6	69	58	150	17.420K-48-48	64	109
<b>17.420-56-48</b>	76	3 1/2	114,3	69	67	159	17.420K-56-48	82	127
<b>17.420-64-48</b>	76	4	127,0	69	93	185	17.420K-64-48	80	125

<b>17.420-40-56</b>	90	2 1/2	84,1	82	100	192	17.420K-40-56	107	152
<b>17.420-48-56</b>	90	3	101,6	82	80	172	17.420K-48-56	87	132
<b>17.420-56-56</b>	90	3 1/2	114,3	82	80	172	17.420K-56-56	67	112
<b>17.420-64-56</b>	90	4	127,0	82	80	172	17.420K-64-56	97	142
<b>17.420-80-56</b>	90	5	152,4	82	146	238	17.420K-80-56	103	148
<b>17.420-48-64</b>	102	3	101,6	94	96	188	17.420K-48-64	98	146
<b>17.420-56-64</b>	102	3 1/2	114,3	94	83	175	17.420K-56-64	87	135
<b>17.420-64-64</b>	102	4	127,0	94	73	165	17.420K-64-64	77	125
<b>17.420-80-64</b>	102	5	152,4	94	91	183	17.420K-80-64	95	143
<b>17.420-56-96</b>	152	3 1/2	114,3	142	212	340	17.420K-56-96	205	285
<b>17.420-64-96</b>	152	4	127,0	142	210	338	17.420K-64-96	202	282
<b>17.420-80-96</b>	152	5	152,4	142	82	210	17.420K-80-96	92	172