

Suction and low-pressure fittings SFL 45°

Connection

SAE flange 3000PSI (L series)

Standard

ISO 6162-1

Application

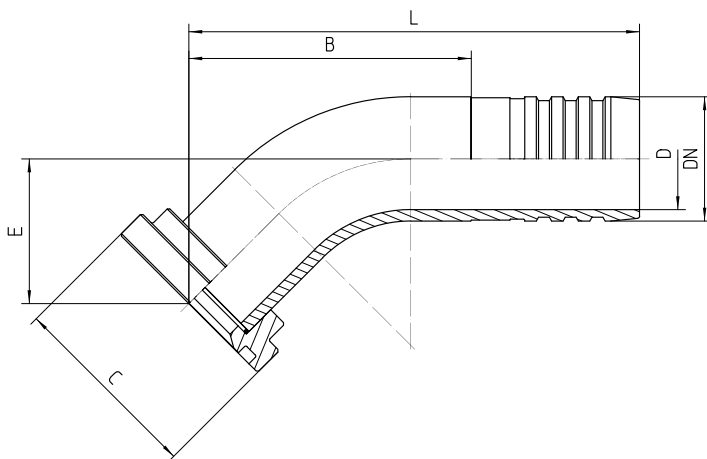
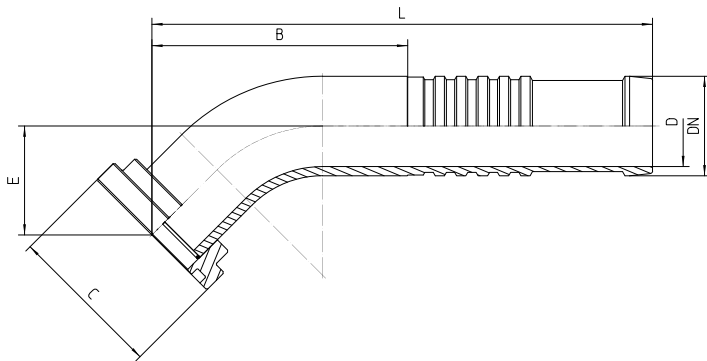
14A / 17A flexible tubes

Material

Steel

Surface protection

Zinc-electroplated



Bestell-Nr.	DN in mm	flange in inch	C in mm	D in mm	E±3 in mm	B±3 in mm	L±3 in mm	Order-No.	B±3 in mm	L±3 in mm
-------------	----------	----------------	---------	---------	-----------	-----------	-----------	-----------	-----------	-----------

17.450-08-12	19	1/2	30,2	14	26	60	140	17.450K-08-12	56	100
17.450-12-12	19	3/4	38,1	14	26	60	140	17.450K-12-12	56	100
17.450-16-12	19	1	44,4	14	26	60	140	17.450K-16-12	56	100
17.450-20-12	19	1 1/4	50,8	14	25	60	140	17.450K-20-12	56	100
17.450-12-16	25	3/4	38,1	19	31	65	145	17.450K-12-16	61	105
17.450-16-16	25	1	44,4	19	31	65	145	17.450K-16-16	61	105
17.450-20-16	25	1 1/4	50,8	19	30	64	144	17.450K-20-16	60	104
17.450-24-16	25	1 1/2	60,3	19	32	66	146	17.450K-24-16	62	106
17.450-12-20	31	3/4	38,1	26	57	105	185	17.450K-12-20	101	145
17.450-16-20	31	1	44,4	26	36	85	165	17.450K-16-20	81	125
17.450-20-20	31	1 1/4	50,8	26	36	77	157	17.450K-20-20	81	125
17.450-24-20	31	1 1/2	60,3	26	37	85	165	17.450K-24-20	81	125
17.450-32-20	31	2	71,4	26	58	106	186	17.450K-32-20	102	146
17.450-16-24	38	1	44,4	32	52	115	195	17.450K-16-24	91	135
17.450-20-24	38	1 1/4	50,8	32	52	117	197	17.450K-20-24	101	145
17.450-24-24	38	1 1/2	60,3	32	41	103	183	17.450K-24-24	91	135
17.450-32-24	38	2	71,4	32	61	122	202	17.450K-	116	160

								32-24		
17.450-40-24	38	2 1/2	84,1	32	61	122	202	17.450K-40-24	101	145
17.450-20-32	51	1 1/4	50,8	44	70	145	237	17.450K-20-32	127	172
17.450-24-32	51	1 1/2	60,3	44	58	132	224	17.450K-24-32	123	168
17.450-32-32	51	2	71,4	44	55	131	223	17.450K-32-32	115	160
17.450-40-32	51	2 1/2	84,1	44	58	132	224	17.450K-40-32	123	168
17.450-48-32	51	3	101,6	44	75	151	243	17.450K-48-32	132	177
17.450-24-36	60	1 1/2	60,3	53	56	101	193	17.450K-24-36	108	153
17.450-32-36	60	2	71,4	53	45	86	178	17.450K-32-36	96	141
17.450-40-36	60	2 1/2	84,1	53	45	89	181	17.450K-40-36	96	141
17.450-48-36	60	3	101,6	53	53	97	189	17.450K-48-36	104	149
17.450-56-36	60	3 1/2	114,3	53	61	105	197	17.450K-56-36	112	157
17.450-32-48	76	2	71,4	69	74	142	234	17.450K-32-48	147	192
17.450-40-48	76	2 1/2	84,1	69	55	117	209	17.450K-40-48	124	169
17.450-48-48	76	3	101,6	69	53	121	213	17.450K-48-48	128	173
17.450-56-48	76	3 1/2	114,3	69	74	140	232	17.450K-56-48	147	192
17.450-64-48	76	4	127,0	69	87	146	238	17.450K-64-48	153	198

17.450-40-56	90	2 1/2	84,1	82	75	150	242	17.450K-40-56	157	202
17.450-48-56	90	3	101,6	82	70	145	237	17.450K-48-56	152	197
17.450-56-56	90	3 1/2	114,3	82	49	124	216	17.450K-56-56	128	173
17.450-64-56	90	4	127,0	82	67	136	228	17.450K-64-56	143	188
17.450-80-56	90	5	152,4	82	86	195	287	17.450K-80-56	202	247
17.450-48-64	102	3	101,6	94	87	168	260	17.450K-48-64	172	220
17.450-56-64	102	3 1/2	114,3	94	73	157	249	17.450K-56-64	161	209
17.450-64-64	102	4	127,0	94	55	139	231	17.450K-64-64	143	191
17.450-80-64	102	5	152,4	94	86	178	270	17.450K-80-64	182	230
17.450-56-96	152	3 1/2	114,3	142	94	205	333	17.450K-56-96	213	293
17.450-64-96	152	4	127,0	142	96	207	335	17.450K-64-96	215	295
17.450-80-96	152	5	152,4	142	92	243	371	17.450K-80-96	251	175