

Suction and low-pressure fittings loose DIN flange 90°

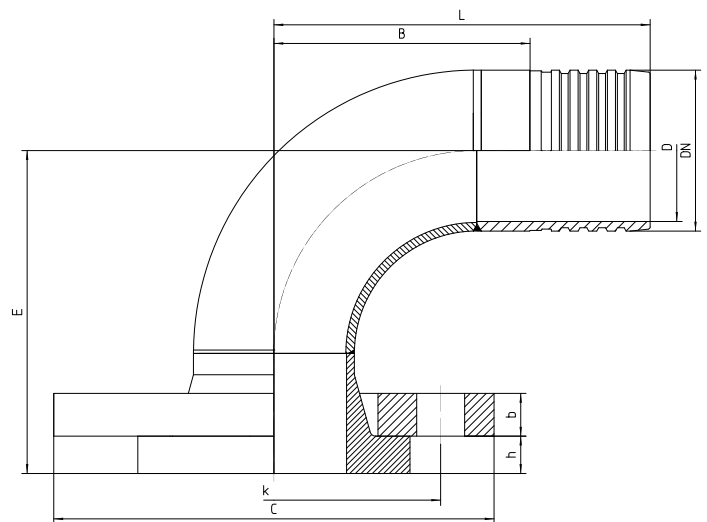
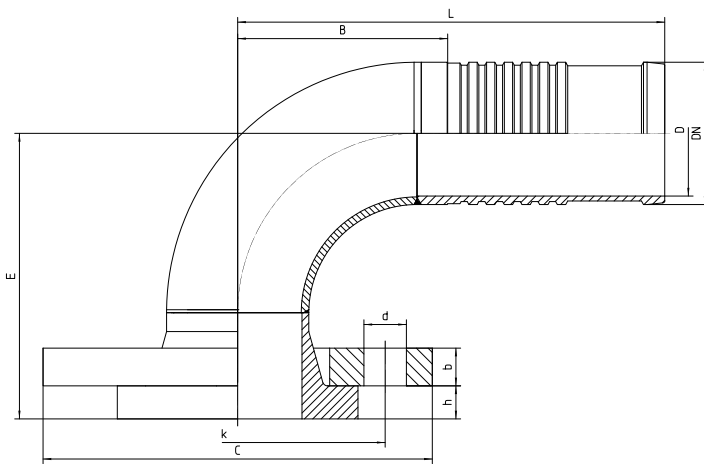
Connection
loose DIN flange

Standard
DIN 2673 (new: EN1092-1, Typ 04 PN16 and Typ 34 PN16)

Application
14A / 17A flexible tubes

Material
Steel

Surface protection
Zinc-electroplated



Bestell-Nr.	DN in mm	DN DIN- Flange	C in mm	b in mm	k in mm	number of screws	screws T	d in mm	h in mm	D in mm	E±3 in mm	B±3 in mm	L±3 in mm	Order No.	B±3 in mm	L±3 in mm
17.439-12-12	19	20	105	14 (16)	75	4	M12	14	12 (14)	14	70	50	130	17.439K- 12-12	46	90
17.439-16-12	19	25	115	16	85	4	M12	14	12 (14)	14	75	55	135	17.439K- 16-12	51	95
17.439-12-16	25	20	105	14 (16)	75	4	M12	14	12 (14)	19	70	50	130	17.439K- 12-16	46	90
17.439-16-16	25	25	115	16	85	4	M12	14	12 (14)	19	75	55	135	17.439K- 16-16	51	95
17.439-20-16	25	32	140	16 (18)	100	4	M16	18	12 (14)	19	85 (87)	65	145	17.439K- 20-16	61	105
17.439-12-20	31	20	105	14	75	4	M12	14	12	26	75	55	135	17.439K-	51	95

				(16)					(14)					12-20		
17.439-16-20	31	25	115	16	85	4	M12	14	12 (14)	26	75	55	135	17.439K-16-20	51	95
17.439-20-20	31	32	140	16 (18)	100	4	M16	18	12 (14)	26	85 (87)	75	155	17.439K-20-20	61	105
17.439-24-20	31	40	150	16 (18)	110	4	M16	18	12 (14)	26	90 (95)	70	150	17.439K-24-20	66	110
17.439-12-24	38	20	105	(14) 16	75	4	M12	14	12 (14)	32	75	55	135	17.439K-12-24	51	95
17.439-16-24	38	25	115	16	85	4	M12	14	12 (14)	32	75	55	135	17.439K-16-24	51	95
17.439-20-24	38	32	140	16 (18)	100	4	M16	18	12 (14)	32	85 (87)	65	145	17.439K-20-24	61	105
17.439-24-24	38	40	150	16 (18)	110	4	M16	18	12 (14)	32	90 (95)	70	150	17.439K-24-24	66	110
17.439-32-24	38	50	165	16 (20)	125	4	M16	18	14 (16)	32	108	105	185	17.439K-32-24	98	142
17.439-16-32	51	25	115	16	85	4	M12	14	12 (14)	44	85	86	178	17.439K-16-32	93	138
17.439-20-32	51	32	140	16 (18)	100	4	M16	18	12 (14)	44	104 (106)	82	174	17.439K-20-32	93	138
17.439-24-32	51	40	150	16 (18)	110	4	M16	18	12 (14)	44	97	75	167	17.439K-24-32	88	133
17.439-32-32	51	50	165	16 (20)	125	4	M16	18	14 (16)	44	121	94	186	17.439K-32-32	98	143
17.439-40-32	51	65	185	16 (20)	145	4 (8)	M16	18	14 (16)	44	139	203	295	17.439K-40-32	134	179
17.439-16-36	60	25	115	16	85	4	M12	14	12 (14)	53	85	88	180	17.439K-16-36	95	140
17.439-20-36	60	32	140	16 (18)	100	4	M16	18	12 (14)	53	90 (92)	93	185	17.439K-20-36	100	145
17.439-24-36	60	40	150	16 (18)	110	4	M16	18	12 (14)	53	106 (111)	94	186	17.439K-24-36	101	146
17.439-32-36	60	50	165	16 (20)	125	4	M16	18	14 (16)	53	118	86	178	17.439K-32-36	93	138
17.439-40-36	60	65	185	16 (20)	145	4 (8)	M16	18	14 (16)	53	139	145	237	17.439K-40-36	132	177
17.439-48-36	60	80	200	18 (20)	160	8	M16	18	16	53	145	125	217	17.439K-48-36	132	177
17.439-20-48	76	32	140	16 (18)	100	4	M16	18	12 (14)	69	90 (92)	100	192	17.439K-20-48	107	152

17.439-24-48	76	40	150	16 (18)	110	4	M16	18	12 (14)	69	106 (111)	113	205	17.439K- 24-48	120	165
17.439-32-48	76	50	165	16 (20)	125	4	M16	18	14 (16)	69	118	123	215	17.439K- 32-48	125	170
17.439-40-48	76	65	185	16 (20)	145	4 (8)	M16	18	14 (16)	69	139	123	215	17.439K- 40-48	124	169
17.439-48-48	76	80	200	18 (20)	160	8	M16	18	16	69	163	162	254	17.439K- 48-48	169	214
17.439-64-48	76	100	220	18 (22)	180	8	M16	18	16 (18)	69	182 (184)	177	269	17.439K- 64-48	184	229
17.439-24-56	90	40	150	16(18)	110	4	M16	18	12 (14)	82	106 (111)	121	213	17.439K- 24-56	128	173
17.439-32-56	90	50	165	16 (20)	125	4	M16	18	14 (16)	82	118	125	217	17.439K- 32-56	132	177
17.439-40-56	90	65	185	16 (20)	145	4 (8)	M16	18	14 (16)	82	139	125	217	17.439K- 40-56	132	177
17.439-48-56	90	80	200	18 (20)	160	8	M16	18	16	82	163	151	243	17.439K- 48-56	158	203
17.439-64-56	90	100	220	18 (22)	180	8	M16	18	16 (18)	82	182 (184)	170	262	17.439K- 64-56	177	222
17.439-32-64	102	50	165	16 (20)	125	4	M16	18	14 (16)	94	118	140	232	17.439K- 32-64	144	192
17.439-40-64	102	65	185	16 (20)	145	4 (8)	M16	18	14 (16)	94	139	157	249	17.439K- 40-64	161	209
17.439-48-64	102	80	200	18 (20)	160	8	M16	18	16	94	163	139	231	17.439K- 48-64	143	191
17.439-64-64	102	100	220	18 (22)	180	8	M16	18	16 (18)	94	182 (184)	160	252	17.439K- 64-64	164	212
17.439-80-64	102	125	250	18 (22)	210	8	M16	18	18	94	232 (237)	245	337	17.439K- 80-64	170	218
17.439-64-96	152	100	220	18 (22)	180	8	M16	18	16 (18)	142	204 (206)	320	448	17.439K- 64-96	217	297
17.439-80-96	152	125	250	18 (22)	210	8	M16	18	18	142	240 (245)	222	350	17.439K- 80-96	230	310
17.439-96-96	152	150	285	18 (24)	240	8	M20	22	18 (20)	142	263 (268)	242	370	17.439K- 96-96	250	330
17.439-128-96	152	200	340	20 (26)	295	12	M20	22	20	142	330 (337)	322	450	17.439K- 128-96	330	410

Note
deviating measurements when En flanges are used