

Suction and low-pressure fittings weld-on nipple 45°

Connection

Schlaunippel mit Rohr zum Anschweißen

Application

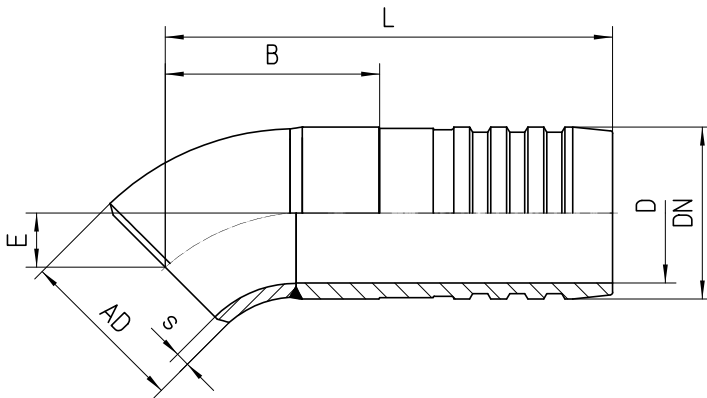
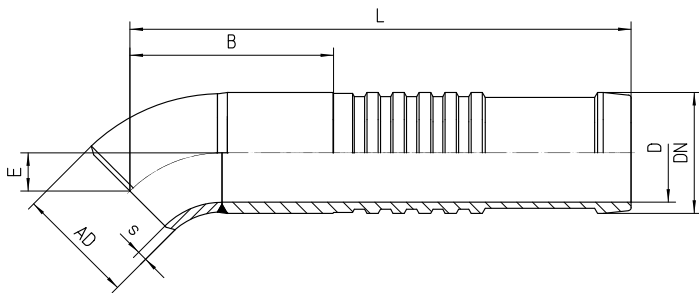
14A / 17A flexible tubes

Material

Steel

Surface protection

without



Bestell-Nr.	DN in mm	Tube bend DIN2605/3S AD x s	D in mm	E±3 in mm	B±3 in mm	L±3 in mm	Order No.	B±3 in mm	L±3 in mm
17.005-12	19	21,3 x 2,0	14,0	7	26	120	17.005K-12	36	80

17.005-16	25	26,9 x 2,3	19,0	10	30	125	17.005K-16	41	85
17.005-20	31	31,8 x 2,6	26,0	14	34	135	17.005K-20	51	95
17.005-24	38	38,0 x 2,6	32,0	17	60	140	17.005K-24	56	100
17.005-32	51	51,0 x 3,2	44,5	20	78	170	17.005K-32	85	130
17.005-36	60	60,3 x 2,9	53,0	23	68	160	17.005K-36	75	120
17.005-48	76	76,1 x 2,9	69,0	29	59	190	17.005K-48	105	150
17.005-56	90	88,9 x 3,2	82,0	35	75	205	17.005K-56	120	165
17.005-64	102	101,6 x 3,6	94,0	45	75	215	17.005K-64	127	175
17.005-96	152	139,0 x 4,0	131,0	62	112	290	17.005K-96	170	250