

# Suction and low-pressure fittings weld-on nipple 90°

## Connection

Schlaunippel mit Rohr zum Anschweißen

## Application

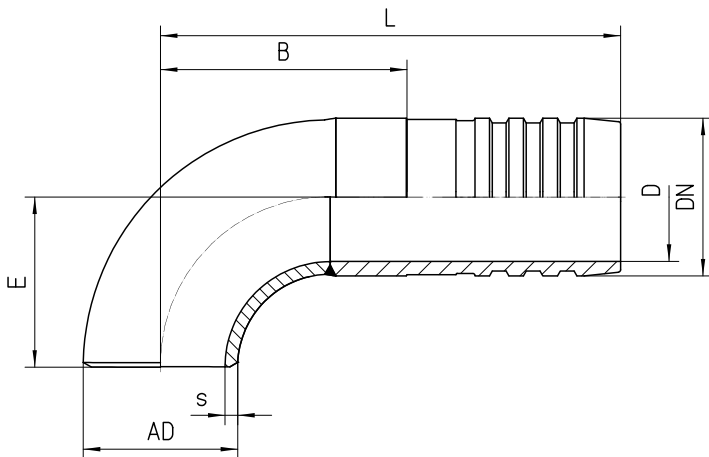
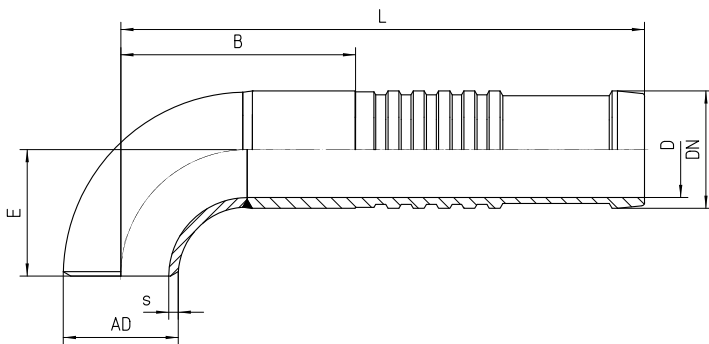
14A / 17A flexible tubes

## Material

Steel

## Surface protection

without



Bestell-Nr.	DN in mm	Tube bend DIN2605/3S AD x s	D in mm	E±3 in mm	B±3 in mm	L±3 in mm	Order No.	B±3 in mm	L±3 in mm

<b>17.009-12</b>	19	21,3x2,0	14,0	26	71	125	17.009K-12	41	85
<b>17.009-16</b>	25	26,9x2,3	19,0	29	79	130	17.009K-16	46	90
<b>17.009-20</b>	31	31,8x2,6	26,0	35	90	135	17.009K-20	51	95
<b>17.009-24</b>	38	38,0x2,6	32,0	45	65	145	17.009K-24	61	105
<b>17.009-32</b>	51	51,0x3,2	44,5	64	102	194	17.009K-32	111	156
<b>17.009-36</b>	60	60,3x2,9	53,0	76	91	181	17.009K-36	96	141
<b>17.009-48</b>	76	76,1x2,9	69,0	95	125	215	17.009K-48	130	175
<b>17.009-56</b>	90	88,9x3,2	82,0	114	144	234	17.009K-56	149	194
<b>17.009-64</b>	102	101,6x3,6	94,0	133	163	253	17.009K-64	165	213
<b>17.009-96</b>	152	139,0x4,0	131,0	190	250	350	17.009K-96	230	310