

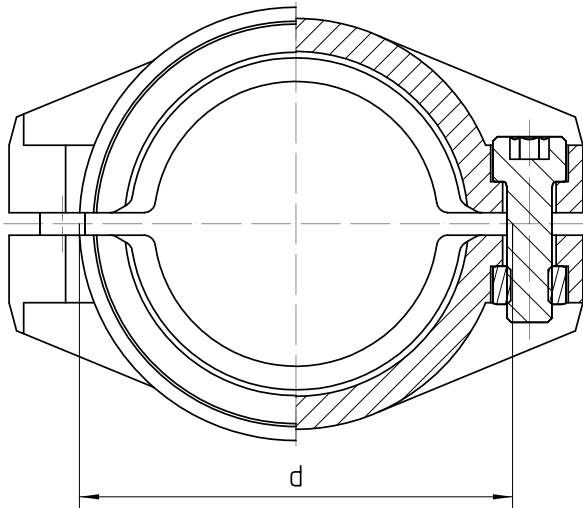
## Suction and low-pressure fittings Clamp mouting 113

### Application

fitting type dh1000 fittings up to DN31, fitting type dh13 for DN38 an bigger (on request)  
14A / KARA25 hoses

### Material

Aluminium / brass



Bestell-Nr.	Order no. old	DN in mm	clamp range d in mm
113-001	113-022024-AI	13	22 - 24
113-002	113-024026-MS	13	24 - 26
113-003	113-026028-MS	13	26 - 28
113-004	113-030033-AI	19	30 - 33
113-005	113-032034-MS	19	32 - 34
113-006	113-034036AL	19	34 - 36
113-007	113-036039-AL	25	36 - 39
113-008	113-037039-MS	25	37 - 39

<b>113-009</b>	113-039041-MS	25	39 - 41
<b>113-010</b>	113-040043-AI	25	40 - 43
<b>113-011</b>	113-041043-MS	25	41 - 43
<b>113-012</b>	113-043046-AI	31	43 - 46
<b>113-013</b>	113-047050-AI	31	47 - 50
<b>113-014</b>	113-050052-AI	38	50 - 52
<b>113-016</b>	113-053056-AI	38	53 - 56
<b>113-017</b>	113-057060-AI	38	57 - 60
<b>113-018</b>	113-058061-AI	40	58 - 61
<b>113-019</b>	113-064067-AI	52	64 - 67
<b>113-020</b>	113-067069-MS	52	67 - 69
<b>113-021</b>	113-069071-AI	52	69 - 71
<b>113-022</b>	113-073076-MS	52	73 - 76
<b>113-023</b>	113-078082-AI	65	78 - 82
<b>113-024</b>	113-084087-AI	65	84 - 87
<b>113-025</b>	113-088091-MS	65	88 - 91
<b>113-026</b>	113-089093-AI	75	89 - 93
<b>113-027</b>	113-094097-AI	75	94 - 97
<b>113-029</b>	113-098101-AI	75	98 - 101
<b>113-030</b>	113-099102-AI	80	99 - 102
<b>113-031</b>	113-114119-AI	102	114 - 119
<b>113-032</b>	113-118122-AI	102	118 - 122
<b>113-033</b>	113-122126-AI	102	122 - 126

<b>113-034</b>	113-126130-AI	102	126 - 130
<b>113-035</b>	113-130134-AI	102	130 - 134
<b>113-036</b>	113-143148-AI	125	143 - 148
<b>113-037</b>	113-149154-AI	125	149 - 154
<b>113-038</b>	113-153158-AI	125	153 - 158
<b>113-039</b>	113-168174-AI	152	168 - 174
<b>113-040</b>	113-174180-AI	152	174 - 180
<b>113-041</b>	113-178184-AI	152	178 - 184
<b>113-042</b>	113-222229-AI	200	222 - 229
<b>113-043</b>	113-230239-AI	200	230 - 239