

## Suction and low-pressure fittings

# Hose clamp two piece 219

### Application

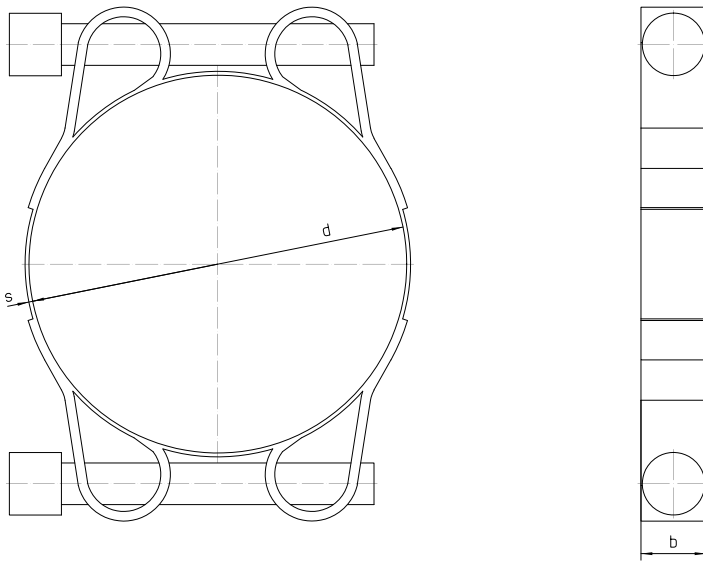
dH17, dH17.K  
14A / 17A hoses

### Material

steel

### Surface protection

Zinc-electroplated



Bestell-Nr.	Order no.	* DN for Hose Typ	clamping range d	Steel strip width b	Steel strip thickness s
-------------	-----------	-------------------	------------------	---------------------	-------------------------

	old	"17A"	in mm	in mm	in mm
<b>219-001</b>	219-047052		47 - 52	20	1
<b>219-002</b>	219-057062	51	57 - 62	20	1,0
<b>219-004</b>	219-067072	60	67 - 72	20	1,0
<b>219-006</b>	219-087092	76	87 - 92	20	1,0
<b>219-007</b>	219-102107		102 - 107	20	1,0
<b>219-008</b>	219-112117	102	112 - 117	20	1,0
<b>219-009</b>	219-141147	127	141 - 147	25	1,5
<b>219-011</b>	219-165172		165 - 172	25	1,5
<b>219-012</b>	219-215222	200	215 - 222	30	2,0