

Suction and low-pressure fittings Ball valves with SAE flange connection

Material

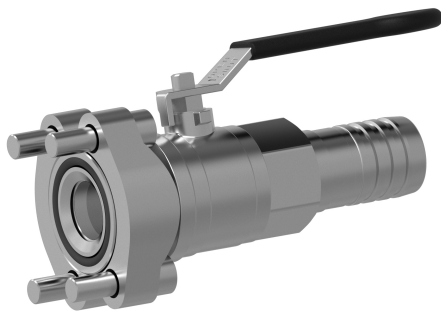
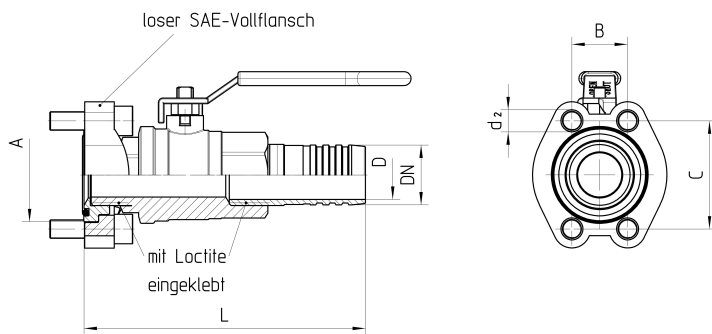
Ball valve: casing: nickelized brass; fittings: steel

Ball: hard chromium plated brass

sealing: teflon

Surface protection

DIN 50979 Fe//Zn8//Cn//T2



Bestell-Nr.	DN in mm	Ball valve in inch	flange in inch	d1 (inside diameter Ball valve)	L±5 in mm	A in mm	B in mm	C in mm	d2 in mm
33.3/4-16-16	25	3/4	1	20	140	44,45	26,2	52,4	10,5
33.1-20-20	31	1	1 1/4	25	155	50,8	30,2	58,7	12,0
33.1 1/4-24-24	38	1 1/4	1 1/2	32	165	60,33	35,7	69,9	13,5

33.1 1/2-40-32	51	1 1/2	2 1/2	38	187	84,12	50,8	88,9	13,5
33.2-48-36	60	2	3	48	200	101,6	61,9	106,4	16,8
33.2 1/2-64-48	76	2 1/2	4	64	220	127,0	77,8	130,2	17,0
33.3-80-56	90	3	5	74	245	152,4	92,1	152,4	17,0
33.4-80-64	102	4	5	98	346	152,4	92,1	152,4	17,0

Note

Extent of supply: incl. full flange, O-ring, screws