

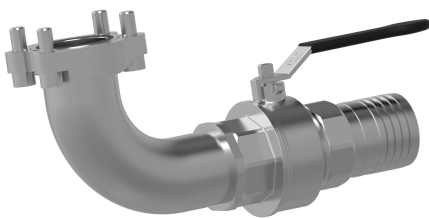
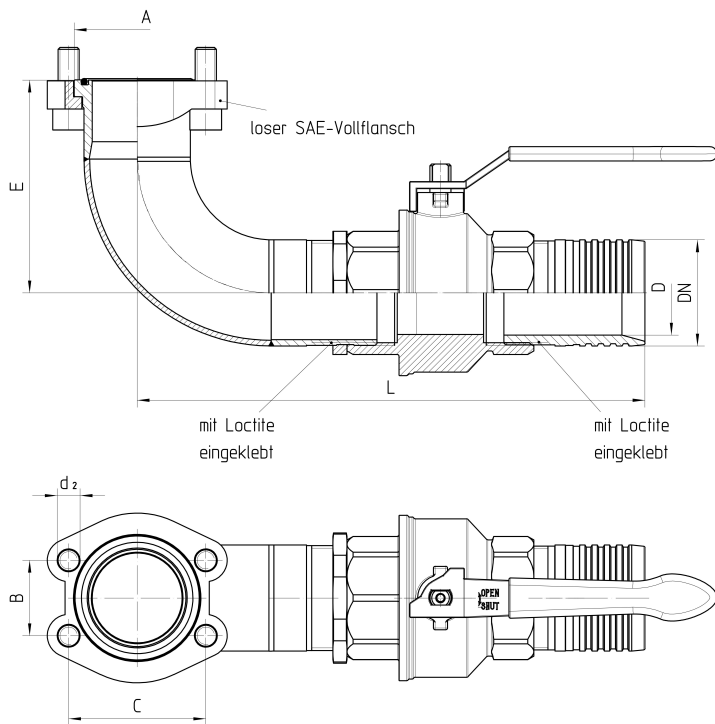
Suction and low-pressure fittings Ball valves SAE flange connection 90° 1st variant

Material

Ball valve: casing: nickelized brass; fittings: steel
Ball: hard chromium plated brass
sealing: teflon

Surface protection

DIN 50979 Fe//Zn8//Cn//T2



Bestell-Nr.	DN in mm	Ball valve in inch	flange in inch	d1 (inside diameter Ball valve)	E±3 in mm	L±5 in mm	A in mm	B in mm	C in mm	d2 in mm
33.3/4-12/90-16	25	3/4	3/4	20	59,0	206	38,10	22,2	47,6	10,5
33.1-16/90-20	31	1	1	25	70,0	233	44,45	26,2	52,4	10,5
33.1 1/4-20/90-24	38	1 1/4	1 1/4	32	85,0	255	50,80	30,2	58,7	12,0
33.1 1/2-24/90-32	51	1 1/2	1 1/2	38	102,0	287	60,33	35,7	69,9	13,5
33.2-32/90-36	60	2	2	48	121,0	326	71,42	42,9	77,8	13,5
33.2 1/2-40/90-48	76	2 1/2	2 1/2	64	145,0	378	84,12	50,8	88,9	13,5
33.3-48/90-56	90	3	3	74	166,0	424	101,60	61,90	106,4	16,8
33.4-64/90-64	102	4	4	98	201,0	530	127,0	77,80	130,2	17,0

Note

Extent of supply: incl. full flange, O-ring, screws